

PARTS LIST

EVINRUDE SPORTWIN 10

MODELS 10018 AND 10019

INSTRUCTIONS ON HOW TO ORDER

For their convenience, as well as ours, we ask our customers to carefully follow our instructions in ordering parts.

We also request that owners order their parts from our dealer or nearest service station or distributor.

ORDER BY PART NUMBER GIVING NAME OF PART ALSO.

ALWAYS GIVE THE SERIAL NUMBER OF THE MOTOR FOR WHICH PART OR PARTS ARE REQUIRED.

This is very important, and is necessary to intelligently fill your order. If you cannot give the number of the motor, state when and from whom the motor was purchased.

TELEGRAMS AND HOW TO USE "EVINRUDE CODE."

Telegram rates are based on fifteen words or less, for immediate delivery. Day letter or night letter rates are considerably cheaper. Detailed information may be found on rear of any telegram blank.

Use the following code only on messages of more than fifteen words. Each five code letters are charged

for as a word. English words and code words may be used in the same message, but code letters cannot be combined with English words.

A - 1	G - 7	L - Air Parcel Post
B - 2	H - 8	M - Freight - Truck
C - 3	I - 9	V - Air Express
D - 4	J - 0	X - Express
E - 5	K - Each	Y - Parcel Post
F - 6	P - Number	Z - Freight - Railway

Following is an example of a telegram not coded and the same reduced to code:

(NOT CODED - 22 WORDS.)

Parcel Post Two Number One Three Naught Naught
Four Four Propeller Nut Twelve Number One Three
Naught Naught Five Three Shear Pins.

(CODED - 8 WORDS.)

YBPAC JJDD Propeller Nut ABPAC JJEC Shear
Pins.

Do not use this code in cable messages.

ROUTING • TERMS • RETURNS

SHIPPING INSTRUCTIONS.

Unless specific instructions accompany the order, we will use our own judgement on how to ship.

TERMS: CASH WITH ORDER OR C.O.D.

In ordering parts, to avoid C.O.D. shipments and extra charges, all orders should be accompanied by cash. Save time and money by remitting sufficient cash to cover cost of parts and Transportation Charges. Stamps are accepted in payment of all orders not over \$1.00. The right to hold all

orders unaccompanied by cash is reserved by Evinrude Motors, Milwaukee.

A minimum charge of \$0.50 net will be made on all orders amounting to less than this amount. We reserve the right to furnish additional parts to make up the difference.

INSTRUCTIONS ON RETURNING PARTS.

Parts can only be returned in accordance with terms outlined under the Service Policy laid down in the instruction manual.

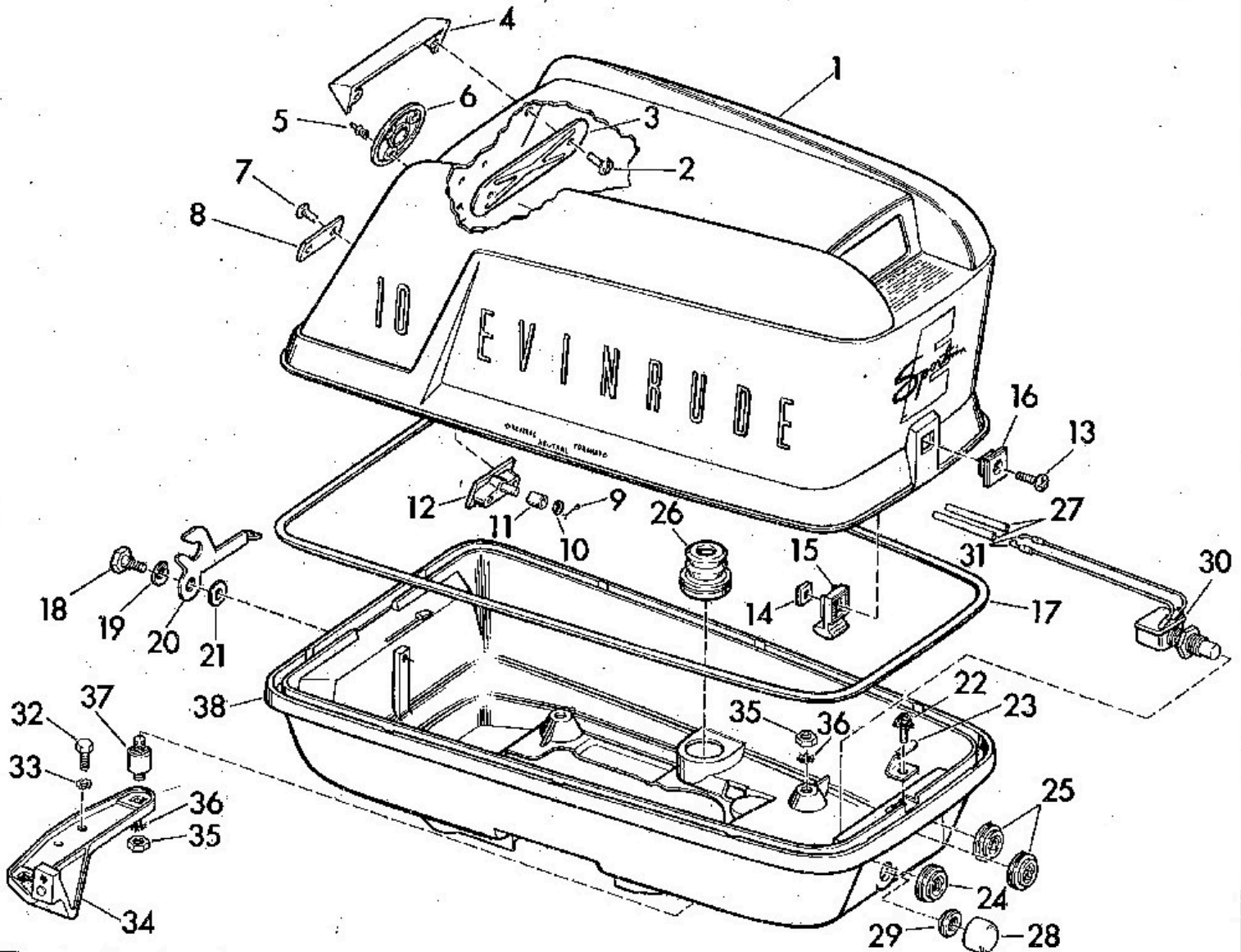
ALL PRICES SUBJECT TO CHANGE WITHOUT NOTICE

EVINRUDE MOTORS, Milwaukee, Wis., U.S.A.

SECOND EDITION

CABLE ADDRESS "EVINRUDE"

SPORTWIN MOTOR COVER



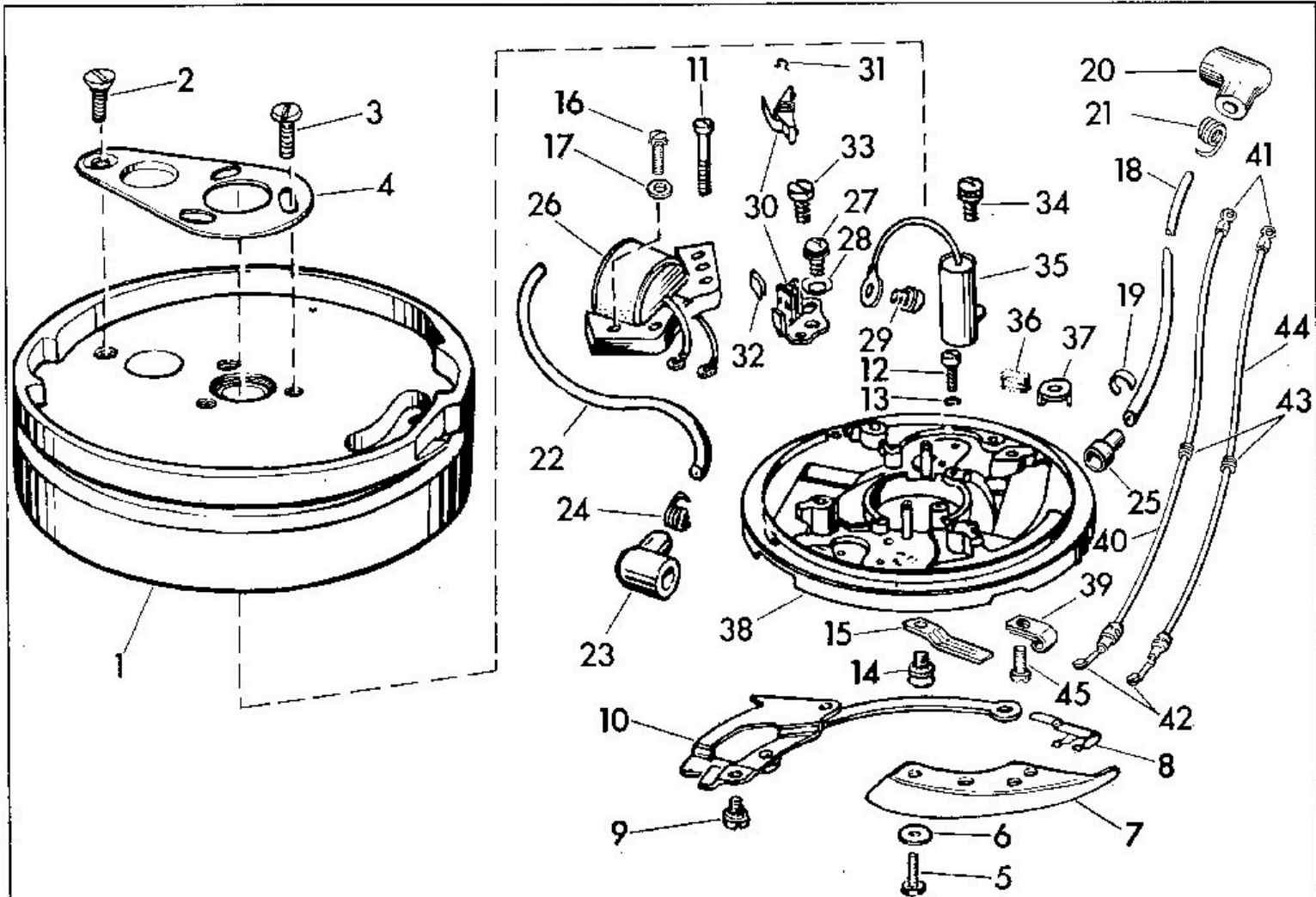
REF. NO.	PART NO.	NAME OF PART	QTY.
1	278055	Motor cover, complete . . .	1
2	304992	. Screw	2
3	204395	. Backing plate	1
4	204393	. Tilting handle	1
5	204460	. Medallion fastener	3
6	204506	. Medallion	1
7	204458	. Screw	2
8	204442	. Rear latch backing plate . . .	1
9	306463	. Cotter pin	1
10	85X54	. Washer	1
11	204443	. Latch roller	1
12	278078	. Anchor block and pin	1
13	204469	. Screw	1
14	203688	. Nut	1
15	204454	. Motor cover hook	1
16	204455	. Motor cover hook retainer . . .	1
17	204596	Motor cover seal	1
18	302592	Screw	1
19	204445	Wave washer	1
20	204470	Upper to lower motor cover latch lever	1
21	204444	Rear latch to lower cover bushing	1
22	204598	Screw	1

REF. NO.	PART NO.	NAME OF PART	QTY.
23	204466	Motor cover hook spring . . .	1
24	204457	Choke knob grommet	1
25	204456	High and low speed knob grommet	2
26	306119	Control shaft to lower motor cover grommet	1
27	303806	Shorting switch leads tubing . . .	2
28	203660	Shorting switch cover	1
29	203658	Nut	1
30	377289	Shorting switch	1
31	203529	Knife disconnect terminal	2
*	377464	Shorting switch extension kit . . .	1
32	306487	Screw	2
33	306488	Lockwasher	2
34	306155	Lower front motor cover mount bracket	1
35	302103	Nut	8
36	306799	Lockwasher	8
37	377582	Lower motor cover support rubber mount	4
38	204370	Power head cover, lower	1
*	278130	Set of decals	1
*	204415	Instruction manual	1
*	278059	Tool kit assembly	1

*Not Shown

INDENTED PART NAMES INDICATE THAT THESE PARTS ARE INCLUDED IN PRECEDING ASSEMBLY
ORDER YOUR PARTS FROM YOUR DISTRICT SERVICE STATION

SPORTWIN MAGNETO



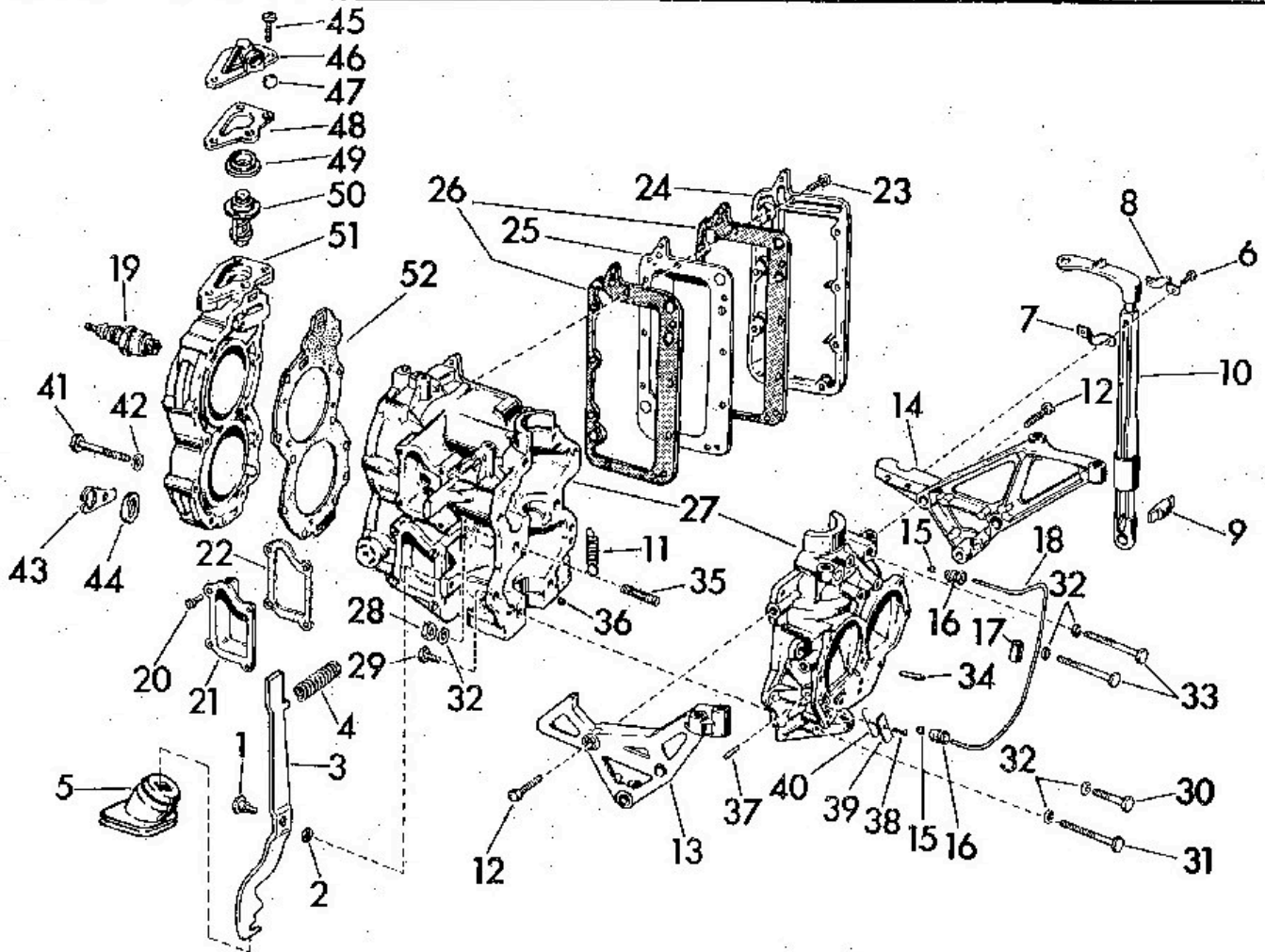
REF. NO.	PART NO.	NAME OF PART	QTY.
1	580218	Flywheel and cover	1
2	510293	. . Screw	1
3	203751	. . Screw	3
4	510292	. . Inspection hole cover	1
5	304441	Screw	2
6	300154	Washer	2
7	203277	Throttle control cam	1
8	305988	Link spring clip	1
9	510193	Screw	2
10	376313	Link and stop	1
*	580254	Armature plate	1
11	510191	. . Screw	2
12	510192	. . Screw	2
13	306311	. . Lockwasher	2
14	510193	. . Screw	1
15	510388	. . High tension lead clamp	1
16	510397	. . Screw	4
17	306547	. . Washer	2
*	580186	. . High tension lead, upper	1
18	510239	. . High tension lead only, upper	1
19	120783	. . Marker	1
20	510232	. . Rubber cover	1
21	510231	. . Spring terminal	1
*	580146	. . High tension lead, lower	1
22	510210	. . High tension lead only, lower	1

REF. NO.	PART NO.	NAME OF PART	QTY.
23	510232	. . Rubber cover	1
24	510231	. . Spring terminal	1
25	510289	. . Grommet	2
26	580118	. . Coil and lamination	2
27	510278	. . Screw	2
28	510208	. . Bow washer	2
29	510194	. . Screw	2
30	580148	. . Breaker	2
31	71A1052	. . Spring clip	1
32	510204	. . Breaker spring clip	1
33	510185	. . Screw	2
34	510193	. . Screw	2
35	510173	. . Condenser	2
36	510189	. . Oiler wick	1
37	510188	. . Oiler clip	1
38	580283	. . Armature plate and post	1
39	510371	. . Shorting lead clamp	1
40	580268	. . Shorting wire lead, long	1
41	71A1063	. . Terminal	1
42	203529	. . Disconnect terminal	1
43	303364	. . Grommet	1
44	580269	. . Shorting wire lead, (Incl. items 41, 42 and 43)	1
45	510278	. . Hole plug screw	1
*	304201	. . Lead shot	1
*	43A128	. . Fecler gauge	1

*Not Shown

INDENTED PART NAMES INDICATE THAT THESE PARTS ARE INCLUDED IN PRECEDING ASSEMBLY
ORDER YOUR PARTS FROM YOUR DISTRICT SERVICE STATION

SPORTWIN CRANKCASE AND CYLINDER

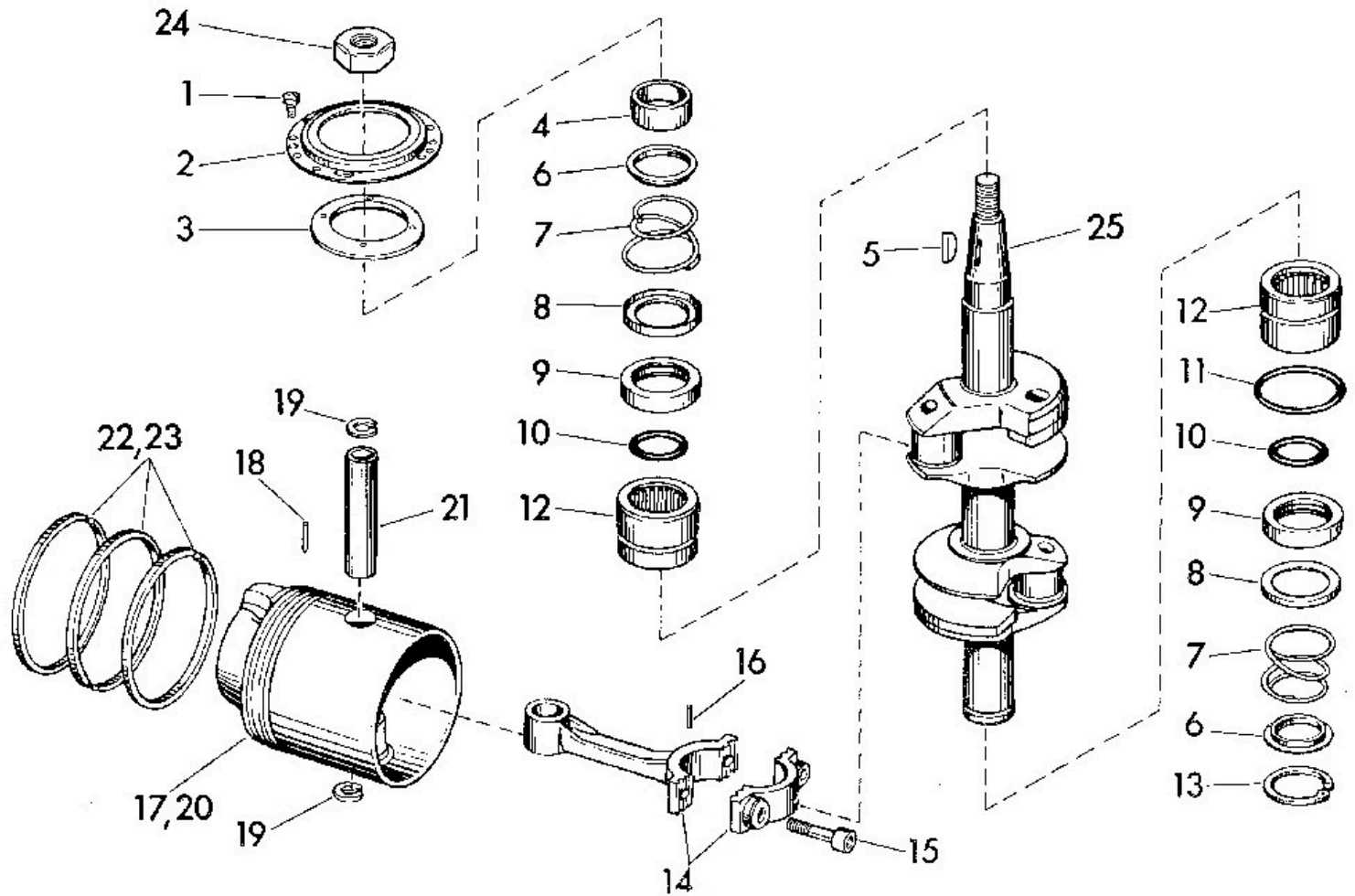


REF. NO.	PART NO.	NAME OF PART	QTY.
1	302592	Screw	1
2	304051	Lockwasher	1
3	303921	Shifter lock	1
4	302587	Shifter lock spring	1
5	306222	Shifter lock grommet	1
6	303737	Screw	2
7	303109	Control lever bearing clamp	1
8	305609	Control lever bearing clamp	1
9	304155	Control lever pin	1
10	305517	Control lever	1
11	302827	High tension lead spring	1
12	306468	Screw	4
13	306157	Starter mtg. brkt. - Stbd.	1
14	306156	Starter mtg. brkt. - Port	1
15	306329	Oil line gland	2
16	41A105	Oil line packing nut	2
17	302811	Oil line tube spacer	1
18	303502	Oil line	1
†19	200322	Spark plug, Champion J6-J	2
†19	376290	Spark plug, Auto-Lite A2X	2
†19	377245	Spark plug, AC M44-C	2
20	304890	Screw	8
21	301848	By-pass cover	2
22	301847	By-pass cover to cyl. gasket	2
23	132346	Screw	10
24	306170	Exhaust cover, outer	1
25	306169	Exhaust cover, inner	1
26	306171	Inner and outer exhaust cover to cylinder gasket	2

REF. NO.	PART NO.	NAME OF PART	QTY.
27	377646	Cylinder and crankcase assy.	1
28	306320	. Nut	2
29	306487	. Screw	4
30	306424	. Screw, short	1
31	306435	. Screw, long	1
32	306453	. Washer	6
33	300355	. Screw	2
34	300402	. Taper pin	2
35	21A170	. Stud	2
36	302037	. Bearing dowel	2
37	301732	. Oil hole plug	1
38	306402	Screw	1
39	203248	Leaf valve oil drain plate	1
40	203235	Crankcase oil drain leaf valve	1
41	302009	Screw	10
42	300399	Washer	9
43	304763	Ignition lead anchor	1
44	300454	Ignition lead grommet	1
45	300258	Screw	3
46	377615	Thermostat housing cap and core plug	1
47	306442	. Core plug	1
48	306173	Thermostat hsg. cap gasket	1
49	306162	Thermostat housing seal	1
50	377612	Thermostat	1
51	306159	Cylinder head	1
52	306174	Cylinder head gasket	1
*	278135	Set of gaskets	1

*Not Shown † We recommend either Champion, Auto-Lite or AC spark plugs.
 INDENTED PART NAMES INDICATE THAT THESE PARTS ARE INCLUDED IN PRECEDING ASSEMBLY
 ORDER YOUR PARTS FROM YOUR DISTRICT SERVICE STATION

SPORTWIN CRANKSHAFT AND PISTON



REF. NO.	PART NO.	NAME OF PART	QTY.
1	304442	Screw	4
2	303278	Armature plate support . . .	1
3	303277	Retaining ring	1
4	510168	Magneto cam	1
5	120395	Crankshaft key	1
6	301857	Washer	2
7	301861	Seal spring	2
8	301860	Washer	2
9	302036	Bearing seal (carbon)	2
10	301967	Carbon seal "O" ring	2
11	302035	Lower bearing seal "O" ring	1
12	302499	Roller bearing, upper and lower	2
13	301859	Seal spring retaining ring . .	1
14	377044	Connecting rod	2

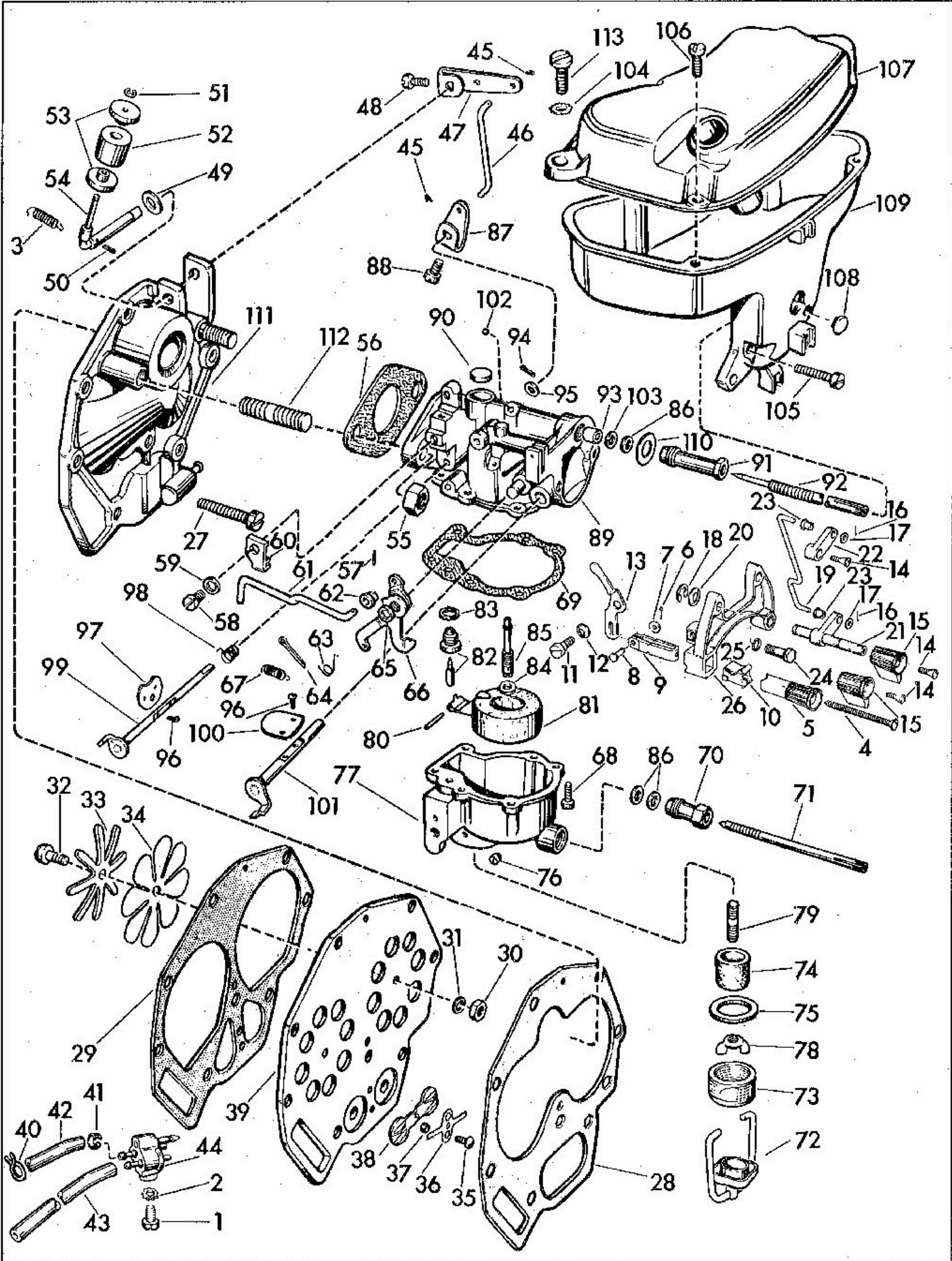
REF. NO.	PART NO.	NAME OF PART	QTY.
15	202967	. Screw	2
16	27A148	Connecting rod needle . . .	58
17	377031	Piston assy. - less rings, standard	2
18	300288	. Piston dowel pin	3
19	303712	. Lock ring	2
20	377034	Piston assy. - less rings, .020" O.S. (Incl. item 18)	2
20	377037	Piston assy. - less rings, .040" O.S. (Incl. item 18)	2
21	303711	Piston pin	2
22	301787	Piston ring, standard . . .	6
23	302399	Piston ring, .020" O.S. . .	6
23	304703	Piston ring, .040" O.S. . .	6
24	301988	Nut	1
25	376380	Crankshaft assembly	1

*Not Shown

INDENTED PART NAMES INDICATE THAT THESE PARTS ARE INCLUDED IN PRECEDING ASSEMBLY

ORDER YOUR PARTS FROM YOUR DISTRICT SERVICE STATION

SPORTWIN CARBURETOR



ORDER YOUR PARTS FROM YOUR DISTRICT SERVICE STATION

SPORTWIN CARBURETOR

REF. NO.	PART NO.	NAME OF PART	QTY.
1	306419	Screw	1
2	306488	Lockwasher	1
3	203276	Cam follower spring	1
4	203676	Screw	1
5	204394	Choke control knob	1
6	301912	Cotter pin	1
7	306544	Choke link pin washer	1
8	303738	Choke link pin	1
9	204497	Choke knob to choke rod link	1
10	204490	Choke link detent	1
11	303247	Screw	1
12	302473	Bow washer	1
13	204489	Choke arm	1
14	551517	Screw	3
15	278027	Control knobs, high and low speed	2
16	41A110	Link pin	2
17	303068	Washer	2
18	202139	Retaining ring	1
19	204508	Slow speed valve arm link	1
20	302473	Bow washer	1
21	278046	Slow speed arm and shaft	1
22	204485	Slow speed valve arm	1
23	304216	Slow speed valve arm link bushing	2
24	300646	Screw	2
25	306488	Lockwasher	2
26	278047	Carburetor linkage support	1
27	304888	Screw	8
28	303486	Leaf plate to manifold gasket	1
29	303484	Leaf plate to c'case gasket	1
*	376260	Leaf plate	1
30	306556	Nut	2
31	306546	Lockwasher	2
32	301858	Screw	2
33	302047	Leaf stop	2
34	301965	Carburetor leaf	2
35	306402	Screw	2
36	302048	Chock valve spring	1
37	302046	Check valve spring spacer	2
38	302042	Air line check valve	1
39	303483	Leaf plate only	1
40	302647	Hose clamp	2
41	301822	Hose clamp	2
42	203286	Air line hose	1
43	302657	Fuel line hose	1
44	375788	Fuel connector body	1
45	41A110	Follower retaining pin	2
46	303539	Link	1
47	376728	Cam follower arm and screw	1
48	304572	Screw	1
49	303048	Washer	1
50	306463	Cotter pin	1
51	203363	Cam follower retainer	1
52	203362	Cam follower roller	1
53	303279	Cam follower bushing	2
54	303541	Throttle cam follower	1
55	306320	Nut	2
56	303531	Gasket	1

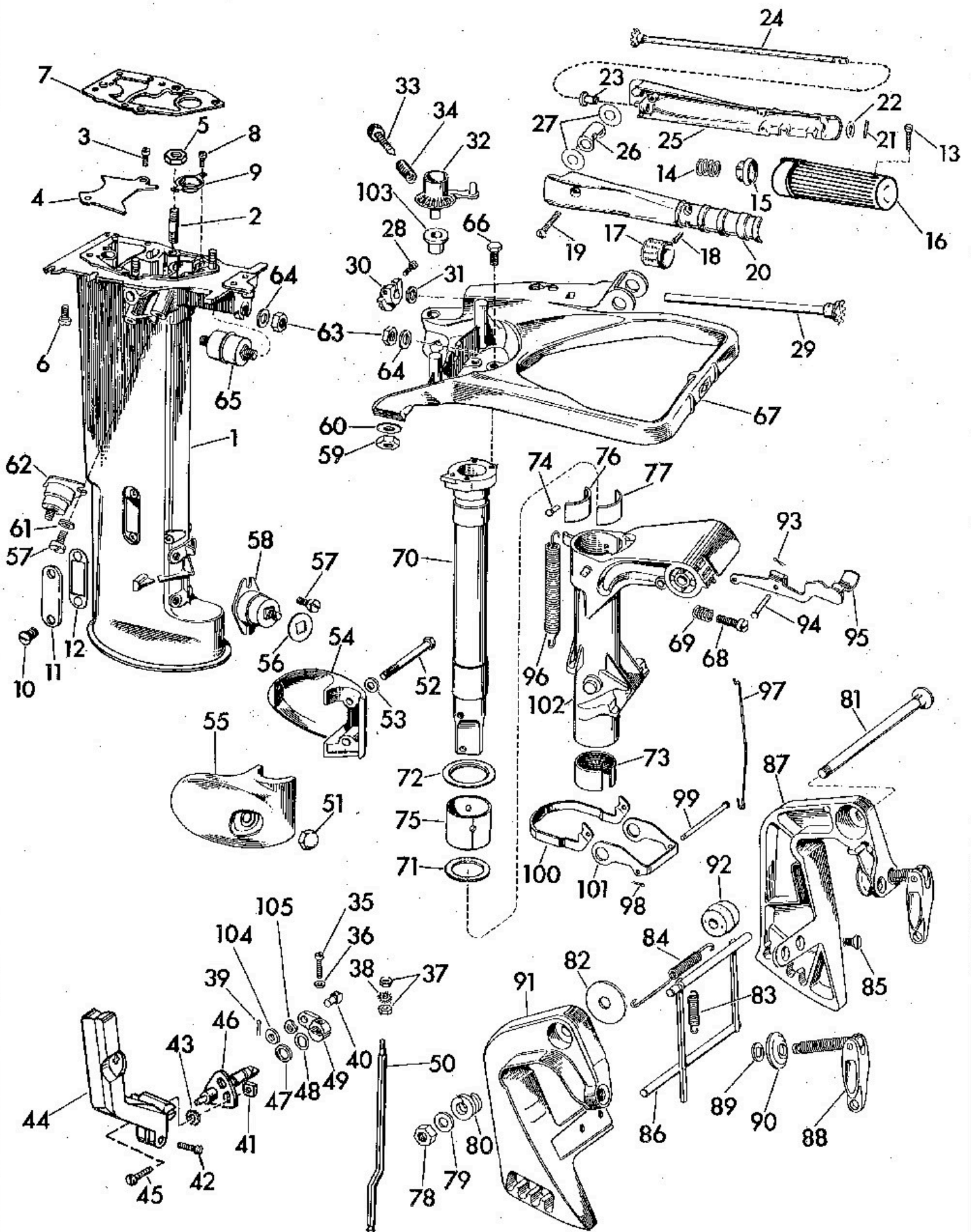
REF. NO.	PART NO.	NAME OF PART	QTY.
*	278060	Carburetor	1
57	41A110	Throttle control rod pin	1
58	131249	Screw	1
59	303497	Washer	1
60	204488	Throttle control rod support	1
61	204486	Throttle control rod	1
62	304216	Throttle control rod bshg.	1
63	302747	Bell crank choke lever spring	1
64	306463	Cotter pin	1
65	85X54	Washer	1
66	204487	Choke bell crank	1
67	204491	Choke return spring	1
68	306552	Screw	5
69	302994	Gasket	1
70	303479	High speed valve nut	1
71	304577	High speed needle valve	1
72	377607	Thumb nut, screw & yoke	1
73	303121	Filter bowl	1
74	303133	Filter element	1
75	303122	Filter bowl gasket	1
76	303041	Screw	1
77	376681	Float chamber and nipple	1
78	304539	Filter nut	1
79	304518	Filter stud	1
80	300096	Float arm hinge pin	1
81	375919	Float and float arm	1
82	375985	Float valve and seat	1
83	301996	Washer	1
84	302984	Gasket	1
85	303618	High speed nozzle	1
86	43X123	Valve packing	3
87	376724	Throttle shaft arm & screw	1
88	304572	Screw	1
89	278131	Carburetor body	1
90	202310	Expansion plug	1
91	303479	Slow speed valve nut	1
92	204426	Slow speed needle valve	1
93	303947	Bushing	1
94	303049	Cotter pin	1
95	303048	Washer	1
96	303760	Screw	4
97	303495	Throttle valve	1
98	303119	Throttle shaft spring	1
99	376153	Throttle shaft and lever	1
100	303126	Choke valve	1
101	375993	Choke shaft and lever	1
102	304201	Lead shot	5
103	43X123	Packing	1
104	306358	Washer	2
105	304889	Screw	2
106	306431	Silencer screw	4
107	277437	Air silencer, upper half	1
108	203652	Air silencer button plug	1
109	306140	Air silencer, lower half	1
110	203355	Washer	1
111	376114	Manifold and stud	1
112	302822	Stud	2
113	306408	Screw	2

*Not Shown

INDENTED PART NAMES INDICATE THAT THESE PARTS ARE INCLUDED IN PRECEDING ASSEMBLY

ORDER YOUR PARTS FROM YOUR DISTRICT SERVICE STATION

SPORTWIN EXHAUST TUBE AND SWIVEL BRACKET



ORDER YOUR PARTS FROM YOUR DISTRICT SERVICE STATION .

SPORTWIN EXHAUST TUBE AND SWIVEL BRACKET

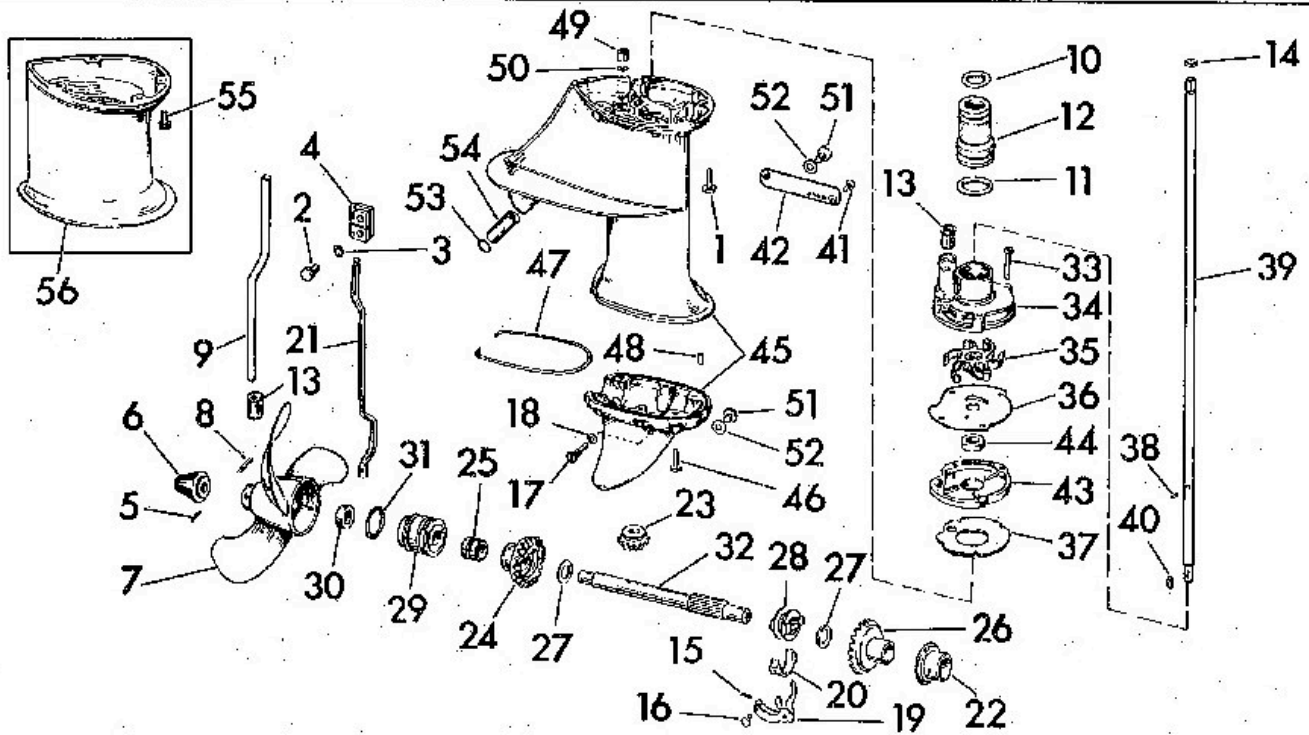
REF. NO.	PART NO.	NAME OF PART	QTY.
1	377790	Exhaust housing and stud assembly	1
2	304517	. Stud	3
3	303393	. Screw	2
4	305323	. Exhaust relief chamber cover plate.	1
5	306320	Nut	3
6	306434	Screw	5
7	306247	Power head to lower unit gasket	1
8	304904	Screw	2
9	305297	Exhaust tube baffle plate . .	1
10	302509	Screw	2
11	305298	Exhaust housing cover plate	1
12	305299	Exhaust housing cover plate gasket	1
13	305001	Screw	1
14	301656	Twist grip spring	1
15	303282	Grip friction block	1
16	204188	Steering handle grip	1
17	303110	Throttle control plate	1
18	133452	Screw	2
19	303078	Screw	1
20	303093	Steering handle, inner half .	1
21	300346	Gear and shaft groove pin .	1
22	303252	Spring washer	1
23	305100	Steering handle bushing . . .	1
24	376691	Throttle control gear and shaft, long	1
25	303094	Steering handle, outer half .	1
26	303096	Steering handle gears cover	1
27	303079	Washer	2
28	306543	Pinion screw	1
29	376689	Throttle control gear and shaft, short	1
30	303142	Throttle control pinion	1
31	303107	Washer	1
32	305562	Throttle control gear	1
33	304573	Screw	1
34	552368	Idler stop spring	1
35	303714	Screw	1
36	303715	Washer	1
37	306556	Nut	2
38	303701	Lockwasher	1
39	306376	Cotter pin	1
40	303702	Shift rod to lever connector	1
41	303189	Nut	1
42	300258	Screw	1
43	303480	Lockwasher	1
44	278025	Shift lever and pin	1
45	306468	Screw	1
46	377587	Adjusting lever and shaft . .	1
47	303775	Washer.	1
48	303191	Shift lever shaft "O" ring . .	1
49	377188	Shift rod lever and bushing .	1
50	305321	Shift rod, upper	1
51	303890	Nut	2
52	304299	Screw	2
53	39X17	Lockwasher	2
54	305554	Lower mount housing - Port	1
55	305555	Lower mount housing - Starboard	1

REF. NO.	PART NO.	NAME OF PART	QTY.
56	304168	Lower side mount gasket . . .	2
57	305295	Screw	8
58	305309	Exhaust tube rubber mount, lower side	2
59	303889	Nut	2
60	304376	Washer	2
61	303887	Washer, small	8
62	303879	Exhaust tube rubber mount, upper side	2
63	303889	Nut	2
64	303884	Washer	2
65	305310	Exhaust tube rubber mount, upper front	1
66	304027	Screw	4
67	377277	Steering bracket and bushing	1
68	132679	Screw	1
69	551113	Co-pilot spring	1
70	304293	Steering bracket pilot shaft .	1
71	304289	Thrust washer	1
72	304290	Thrust washer	1
73	303371	Swivel bracket shock absorber, lower	1
74	303696	Pin	1
75	303370	Swivel bracket liner, upper	1
76	303697	Co-pilot plate to liner spacer	1
77	303363	Co-pilot plate	1
78	306386	Nut	1
79	306433	Washer	1
80	302051	Tilting shaft spring	1
81	304277	Tilting shaft bolt	1
82	304278	Washer	1
83	202021	Tilting lever spring	1
84	304283	Adjusting stabilizer spring .	1
85	303396	Screw	2
86	376505	Tilting lever	1
87	376494	Stern bracket and clamp screw - Port	1
88	375744	. Clamp screw, swivel plate and retainer	1
89	302420	. . Swivel plate retainer . .	1
90	41A48	. . Swivel plate	1
91	376493	Stern bracket and clamp screw - Starboard (Incl. items 88, 89 and 90)	1
92	301983	Conical washer	1
93	303049	Cotter pin	1
94	303930	Reverse locking lever pivot shaft	1
95	304279	Reverse lock arm	1
96	304282	Reverse lock spring	1
97	303978	Reverse lock arm to shaft link	1
98	306376	Cotter pin	1
99	303949	Reverse lock rod	1
100	303948	Reverse locking lever	1
101	303950	Reverse lock link	1
102	304291	Swivel bracket	1
103	303140	Throttle control bushing	1
104	303887	Washer	1
105	302473	Bow washer	1

*Not Shown

INDENTED PART NAMES INDICATE THAT THESE PARTS ARE INCLUDED IN PRECEDING ASSEMBLY
ORDER YOUR PARTS FROM YOUR DISTRICT SERVICE STATION

SPORTWIN GEAR CASE



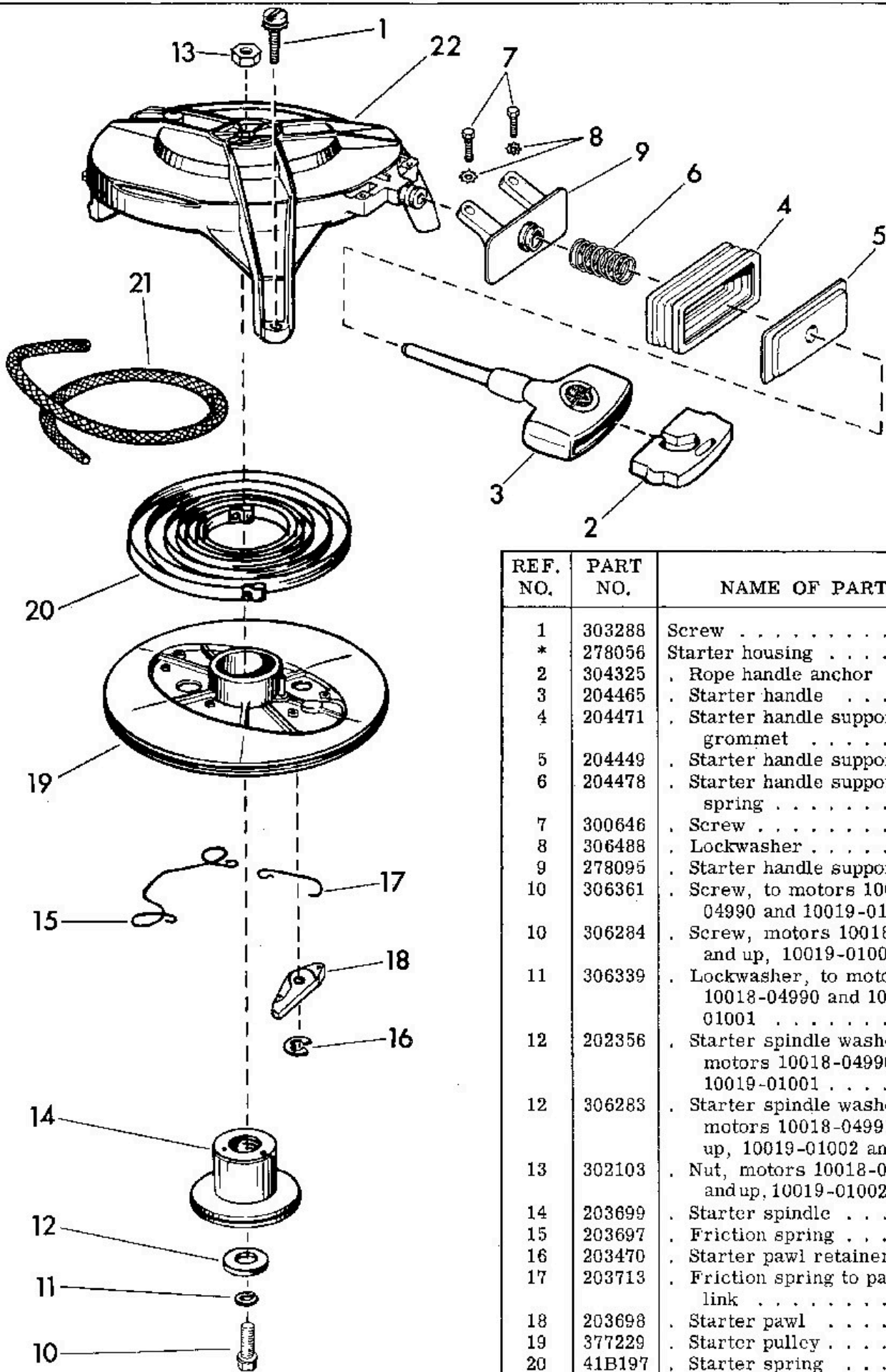
REF. NO.	PART NO.	NAME OF PART	QTY.
1	302325	Screw	4
2	304024	Screw	2
3	301551	Lockwasher	2
4	303794	Shift rod connector	1
5	305296	Cotter pin	1
6	305394	Propeller nut	1
7	277759	Propeller and bushing	1
8	203663	Propeller drive pin	1
9	305325	Water tube	1
10	301967	Spacer "O" ring	1
11	302035	Spacer "O" ring	1
12	305304	Impeller housing spacer	1
13	302497	Water tube grommet	2
14	303067	"O" ring	1
*	377535	Gearcase, complete	1
15	306376	. Cotter pin	1
16	302504	. Shift rod pin	1
17	303358	. Shifter lever pivot pin	1
18	304083	. Washer	1
19	303340	. Shifter lever	1
20	303381	. Cradle	1
21	305319	. Shift rod, lower	1
22	303380	. Bearing, front	1
23	304009	. Drive shaft pinion	1
24	305216	. Rear reversing gear	1
25	303998	. Rear reverse gear bushing	1
26	377152	. Front gear and bushing	1
27	303361	. Thrust washer	2
28	377458	. Clutch dog shifter	1
29	277812	. Gearcase head and seal	1
30	303345	. Seal	1
31	303360	. "O" ring	1
32	305261	. Propeller shaft	1
33	303395	. Screw	4
† 34	305302	. Impeller housing	1
35	377178	. Water pump impeller	1

REF. NO.	PART NO.	NAME OF PART	QTY.
† 36	305303	. Impeller housing plate	1
37	303339	. Gearcase to bearing housing gasket	1
38	300771	. Pump impeller pin	1
39	305318	. Drive shaft	1
40	305720	. Pinion shaft key	1
41	302681	. Screw	2
42	304579	. Gearcase water by-pass cover, upper	1
43	278004	. Bearing housing and seal	1
44	303345	. Seal	1
45	376775	. Gearcase assembly, upper and lower	1
46	304071	. Screw	6
47	303328	. Upper to lower gearcase seal	1
48	300611	. Front bearing dowel	1
49	303332	. Upper gear housing shift rod bushing	1
50	301877	. Shift rod "O" ring	1
51	27A283	. Plug	2
52	27X284	. Plug gasket	2
53	300314	. Water intake screen plug	1
54	303331	. Water intake screen	1
5 INCH LONGER PARTS			
*	377467	Extension kit	1
2	304024	. Screw	2
3	301551	. Lockwasher	2
4	304081	. Shift rod connector	1
9	305390	. Water tube	1
12	305552	. Impeller housing spacer	1
39	305368	. Drive shaft	1
55	307151	. Screw	4
56	303672	. Gearcase extension	1

*Not Shown † A heavy duty (bronze-chrome plated) Impeller housing and plate assembly is available. Order Part No. 377449.

INDENTED PART NAMES INDICATE THAT THESE PARTS ARE INCLUDED IN PRECEDING ASSEMBLY
ORDER YOUR PARTS FROM YOUR DISTRICT SERVICE STATION

SPORTWIN STARTER

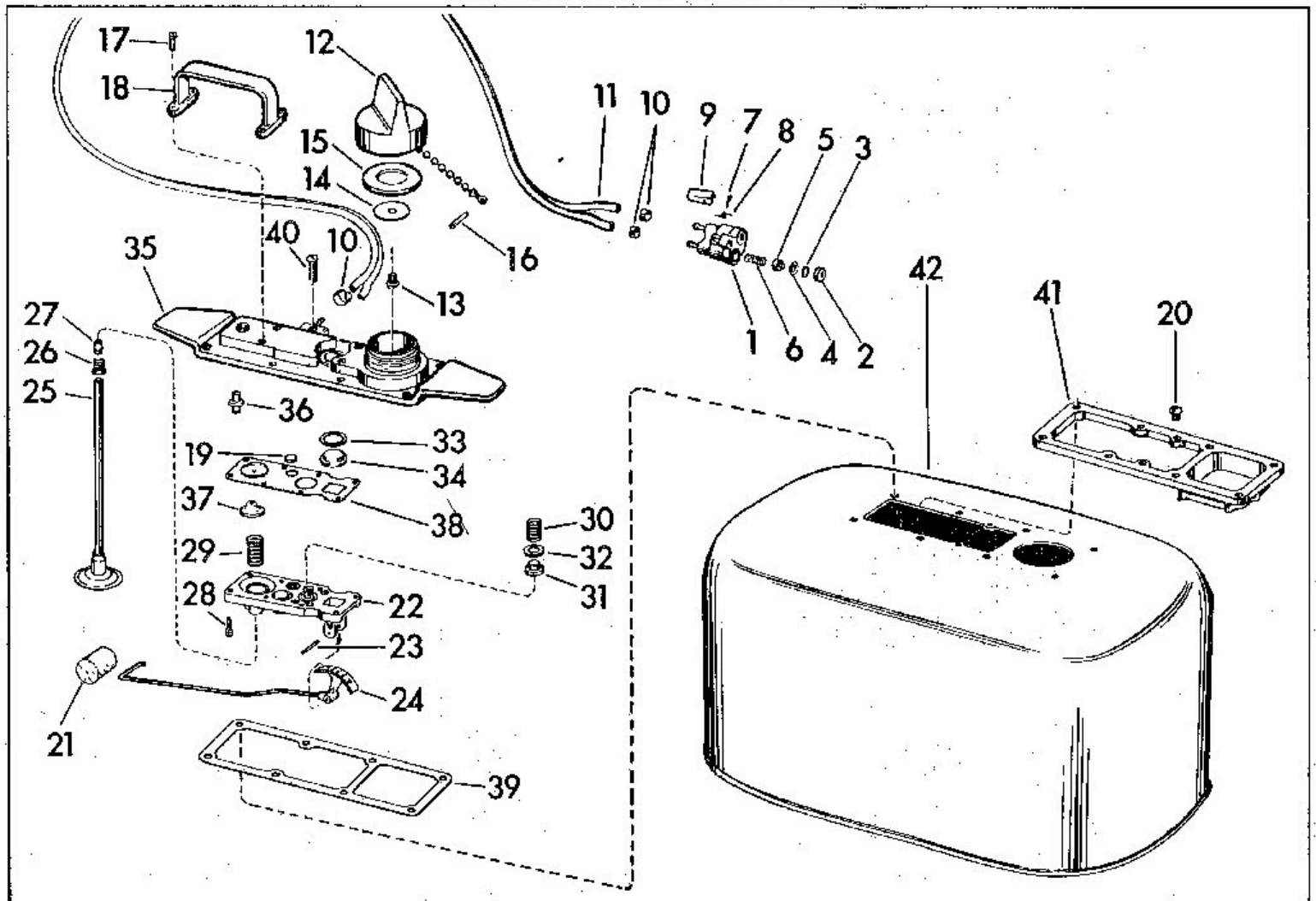


REF. NO.	PART NO.	NAME OF PART	QTY.
1	303288	Screw	3
*	278056	Starter housing	1
2	304325	. Rope handle anchor	1
3	204465	. Starter handle	1
4	204471	. Starter handle support grommet	1
5	204449	. Starter handle support plate	1
6	204478	. Starter handle support spring	1
7	300646	. Screw	2
8	306488	. Lockwasher	2
9	278095	. Starter handle support	1
10	306361	. Screw, to motors 10018-04990 and 10019-01001	1
10	306284	. Screw, motors 10018-04991 and up, 10019-01002 & up	1
11	306339	. Lockwasher, to motors 10018-04990 and 10019-01001	1
12	202356	. Starter spindle washer, to motors 10018-04990 and 10019-01001	1
12	306283	. Starter spindle washer, motors 10018-04991 and up, 10019-01002 and up	1
13	302103	. Nut, motors 10018-04991 and up, 10019-01002 & up	1
14	203699	. Starter spindle	1
15	203697	. Friction spring	1
16	203470	. Starter pawl retainer ring	1
17	203713	. Friction spring to pawl link	2
18	203698	. Starter pawl	1
19	377229	. Starter pulley	1
20	41B197	. Starter spring	1
21	203821	. Starter rope	1
22	377953	. Starter housing and pin	1
*	304500	. . Guide pin	2

*Not Shown

INDENTED PART NAMES INDICATE THAT THESE PARTS ARE INCLUDED IN PRECEDING ASSEMBLY
ORDER YOUR PARTS FROM YOUR DISTRICT SERVICE STATION

CRUIS-A-DAY FUEL TANK



REF. NO.	PART NO.	NAME OF PART	QTY.
*	277891	Fuel tank assembly	1
1	375587	. Fuel connector housing	1
2	301828	. Ring retainer	2
3	301824	. Seal "O" ring	2
4	301827	. Valve guide washer	2
5	301826	. Valve	2
6	301825	. Valve spring	2
7	301832	. Rivet	1
8	301829	. Lock spring	1
9	301830	. Lock	1
10	301822	. Hose clamp	4
† 11	301821	. Fuel tank to connector hose, (standard length)	1
12	375817	. Filler cap	1
13	301837	. Screw	1
14	302560	. Plate	1
15	301835	. Gasket	1
16	306372	. Cotter pin	1
17	306557	. Screw, upper	4
18	302570	. Fuel tank handle	1
19	301802	. Disc valve	1
20	306492	. Screw	1
21	302559	. Fuel tank float	1
22	302555	. Fuel tank lower housing	1

REF. NO.	PART NO.	NAME OF PART	QTY.
23	305821	. Indicator hinge pin	1
24	375778	. Indicator	1
25	375846	. Fuel tank foot valve	1
26	132691	. Nut	1
27	306344	. Gland	1
28	306357	. Screw	8
29	301803	. Fuel pump spring	1
30	302135	. Pressure release valve spring	1
31	302136	. Pressure release valve	1
32	302137	. Pressure release valve washer	1
33	302571	. Fuel tank seal	1
34	302568	. Fuel tank glass	1
35	376988	. Fuel tank housing, upper	1
36	305713	. Push button	1
37	305714	. Diaphragm support	1
38	305715	. Diaphragm	1
39	302557	. Fuel tank gasket	1
40	304137	. Screw	8
41	305356	. Support plate	1
42	277238	. Fuel tank only	1
*	278132	Set of decals	1

*Not Shown † When special length hoses are required order under Part No. 302379 and specify length.
 INDENTED PART NAMES INDICATE THAT THESE PARTS ARE INCLUDED IN PRECEDING ASSEMBLY

ORDER YOUR PARTS FROM YOUR DISTRICT SERVICE STATION

EVINRUDE MOTORS • MILWAUKEE 16, WISCONSIN
 IN CANADA: EVINRUDE MOTORS, PETERBOROUGH, ONTARIO