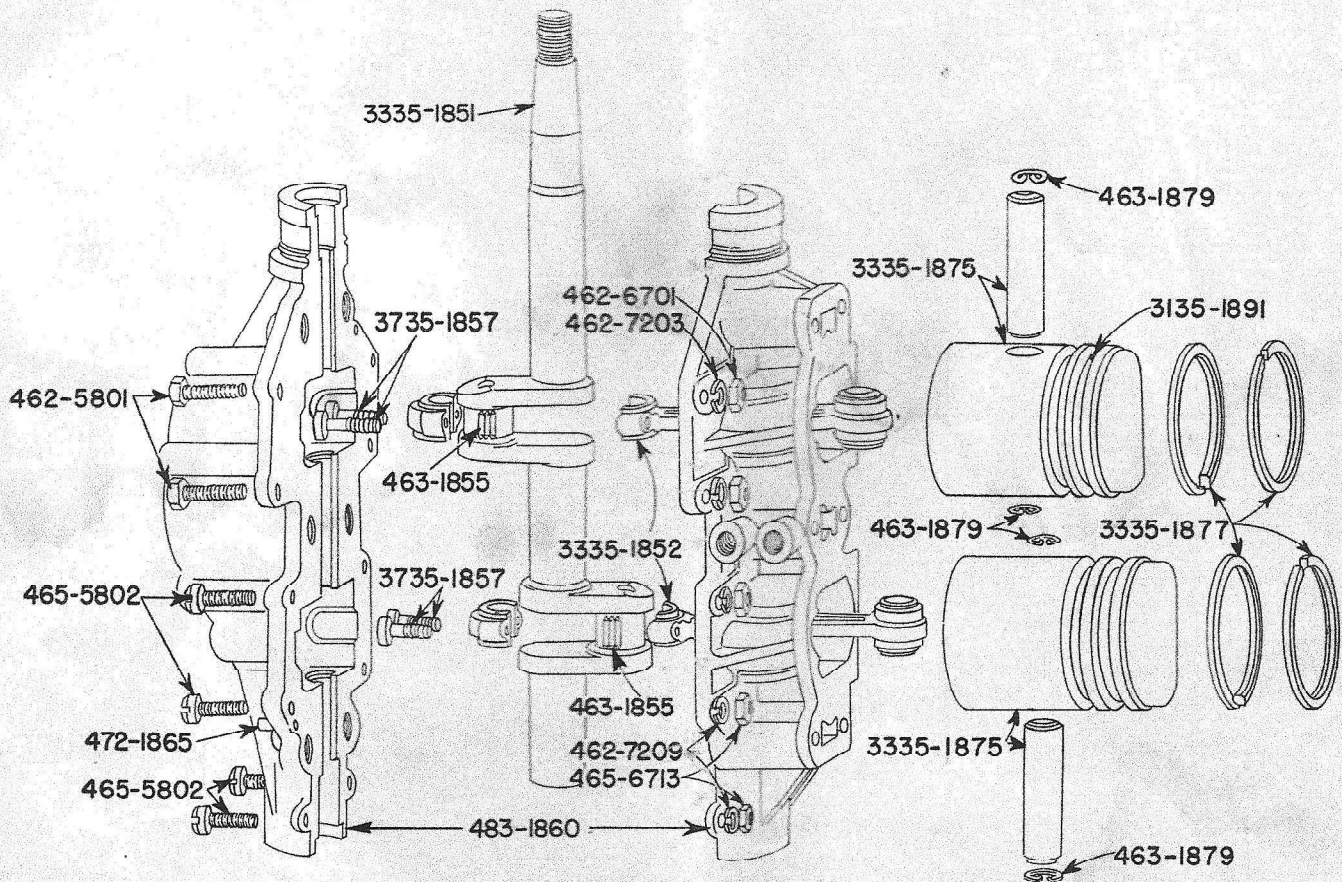


# Firestone

Always order by part name, part number, stock number and serial number of outboard motor

## CRANKCASE



Part Number	Description
3335-1851	Crankshaft
3335-1852	Connecting Rod Assembly (Includes 463-1855 and 3735-1857)
*463-1855	Connecting Rod Crank Pin Roller Set (24)
3735-1857	Connecting Rod Screw
	*Sold in sets only, to maintain uniformity.

Part Number	Description
483-1860	Crankcase Assembly (Includes Front and Rear Halves of Crankcase with Bearings)
472-1865	Crankcase Dowel
3335-1875	Piston and Pin
3335-1877	Piston Ring
463-1879	Piston Pin Lock
3135-1891	Piston Ring Pin
462-5801	Screw—Crankcase Flange
465-5802	Screw—Crankcase Flange
462-6701	Nut—Crankcase Flange Screw
465-6713	Nut—Crankcase Flange Screw
462-7203	Lock Washer—Crankcase Flange Screw Nut
462-7209	Lock Washer—Crankcase Flange Screw Nut

Minimum Parts Order \$1.00