

PARTS LIST

EVINRUDE FLEETWIN

MODEL 7512-7513

INSTRUCTIONS ON HOW TO ORDER

For their convenience, as well as ours, we ask our customers to carefully follow our instructions in ordering parts.

We also request that owners order their parts from our dealer or nearest service station or distributor.

ORDER BY PART NUMBER GIVING NAME OF PART ALSO.

ALWAYS GIVE THE SERIAL NUMBER OF THE MOTOR FOR WHICH PART OR PARTS ARE REQUIRED.

This is very important, and is necessary to intelligently fill your order. If you cannot give the number of the motor, state when and from whom the motor was purchased.

TELEGRAMS AND HOW TO USE "EVINRUDE CODE."

Telegram rates are based on fifteen words or less, for immediate delivery. Day letter or night letter rates are considerably cheaper. Detailed information may be found on rear of any telegram blank.

Use the following code only on messages of more than fifteen words. Each five code letters are charged

for as a word. English words and code words may be used in the same message, but code letters cannot be combined with English words.

A - 1	G - 7	L - Air Parcel Post
B - 2	H - 8	M - Freight - Truck
C - 3	I - 9	V - Air Express
D - 4	J - 0	X - Express
E - 5	K - Each	Y - Parcel Post
F - 6	P - Number	Z - Freight - Railway

Following is an example of a telegram not coded and the same reduced to code:

(NOT CODED - 22 WORDS.)

Parcel Post Two Number One Three Naught Naught
Four Four Propeller Nut Twelve Number One Three
Naught Naught Five Three Shear Pins.

(CODED - 8 WORDS.)

YBPAC JJDD Propeller Nut ABPAC JJEC Shear
Pins.

Do not use this code in cable messages.

ROUTING • TERMS • RETURNS

SHIPPING INSTRUCTIONS.

Unless specific instructions accompany the order, we will use our own judgement on how to ship.

TERMS: CASH WITH ORDER OR C.O.D.

In ordering parts, to avoid C.O.D. shipments and extra charges, all orders should be accompanied by cash. Save time and money by remitting sufficient cash to cover cost of parts and Transportation Charges. Stamps are accepted in payment of all orders not over \$1.00. The right to hold all

orders unaccompanied by cash is reserved by Evinrude Motors, Milwaukee.

A minimum charge of \$0.50 net will be made on all orders amounting to less than this amount. We reserve the right to furnish additional parts to make up the difference.

INSTRUCTIONS ON RETURNING PARTS.

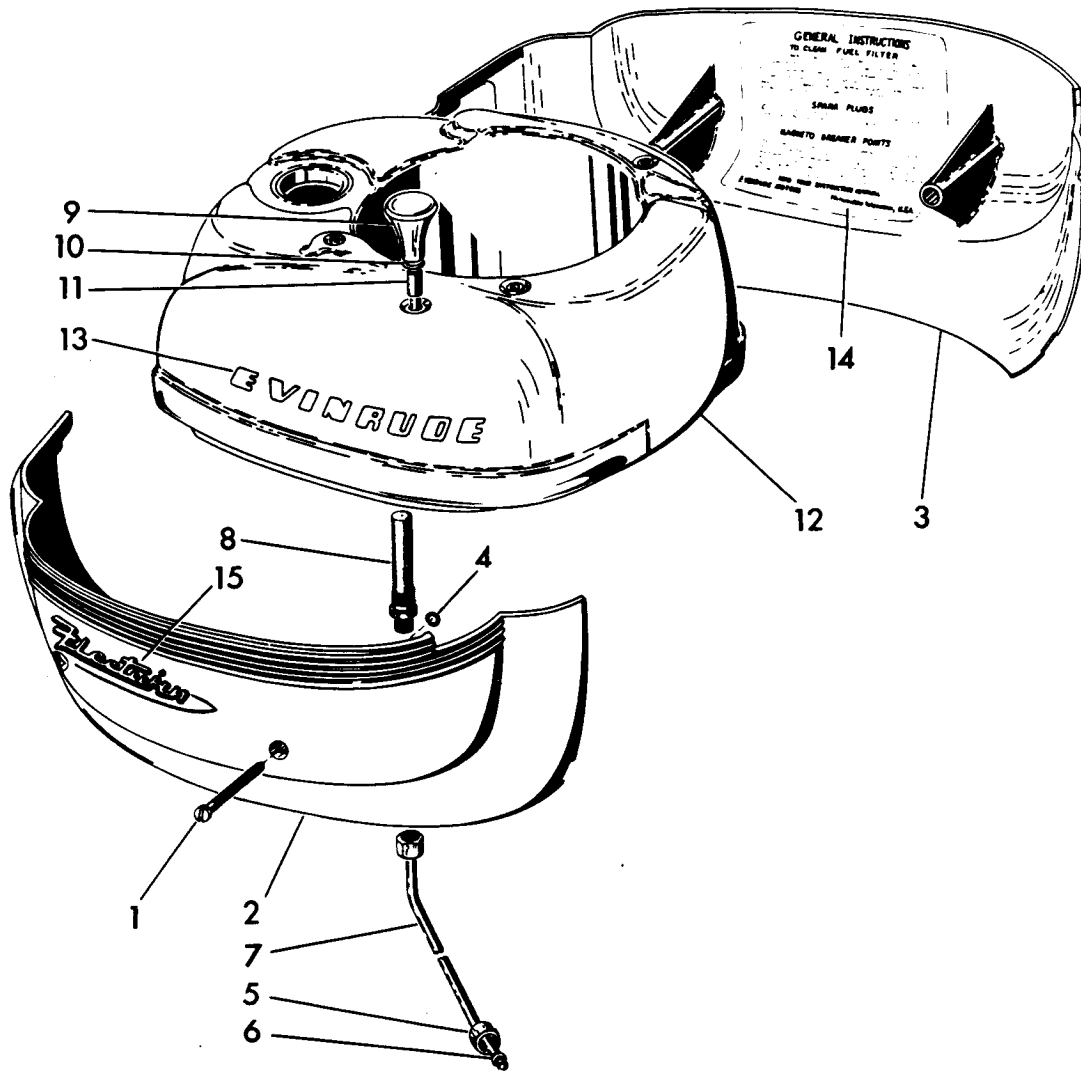
Parts can only be returned in accordance with terms outlined under the Service Policy laid down in the instruction manual.

ALL PRICES SUBJECT TO CHANGE WITHOUT NOTICE

EVINRUDE MOTORS, Milwaukee, Wis., U.S.A.

CABLE ADDRESS "EVINRUDE"

FLEETWIN FUEL TANK AND MOTOR COVERS

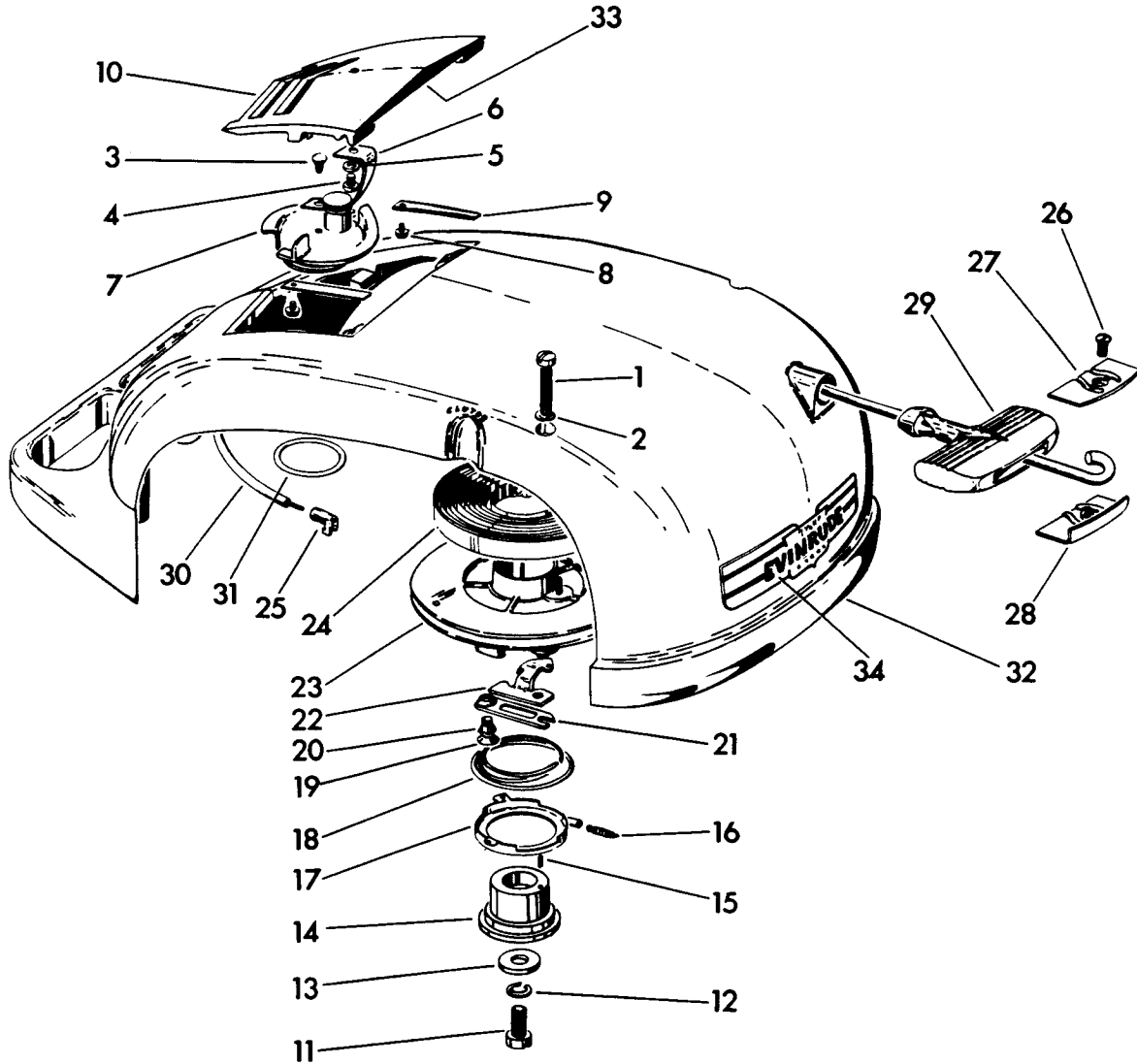


REF. NO.	PART NO.	NAME OF PART	QTY.	REF. NO.	PART NO.	NAME OF PART	QTY.
1	202583	Motor cover screw	4	10	202941	Clutch control rod "O" ring . . .	1
2	276826	Motor cover assembly - starboard	1	11	302343	Control lever guide bushing . . .	1
3	276825	Motor cover assembly - port . . .	1	12	277096	Fuel tank assembly	1
4	121019	Motor cover screw lock ring . . .	4	13	203305	Fuel tank transfer	2
5	13X305	Compression nut	2	14	202584	Instruction transfer	1
6	13X304	Compression sleeve	2	15	203312	Model identification transfer, starboard	1
7	276977	Fuel pipe assembly	1	*	203313	Model identification transfer, port	1
8	276883	Tank connector and filter	1				
9	276842	Clutch control knob assembly . . .	1				

* Not shown

ORDER YOUR PARTS FROM YOUR DISTRICT SERVICE STATION.

FLEETWIN STARTER

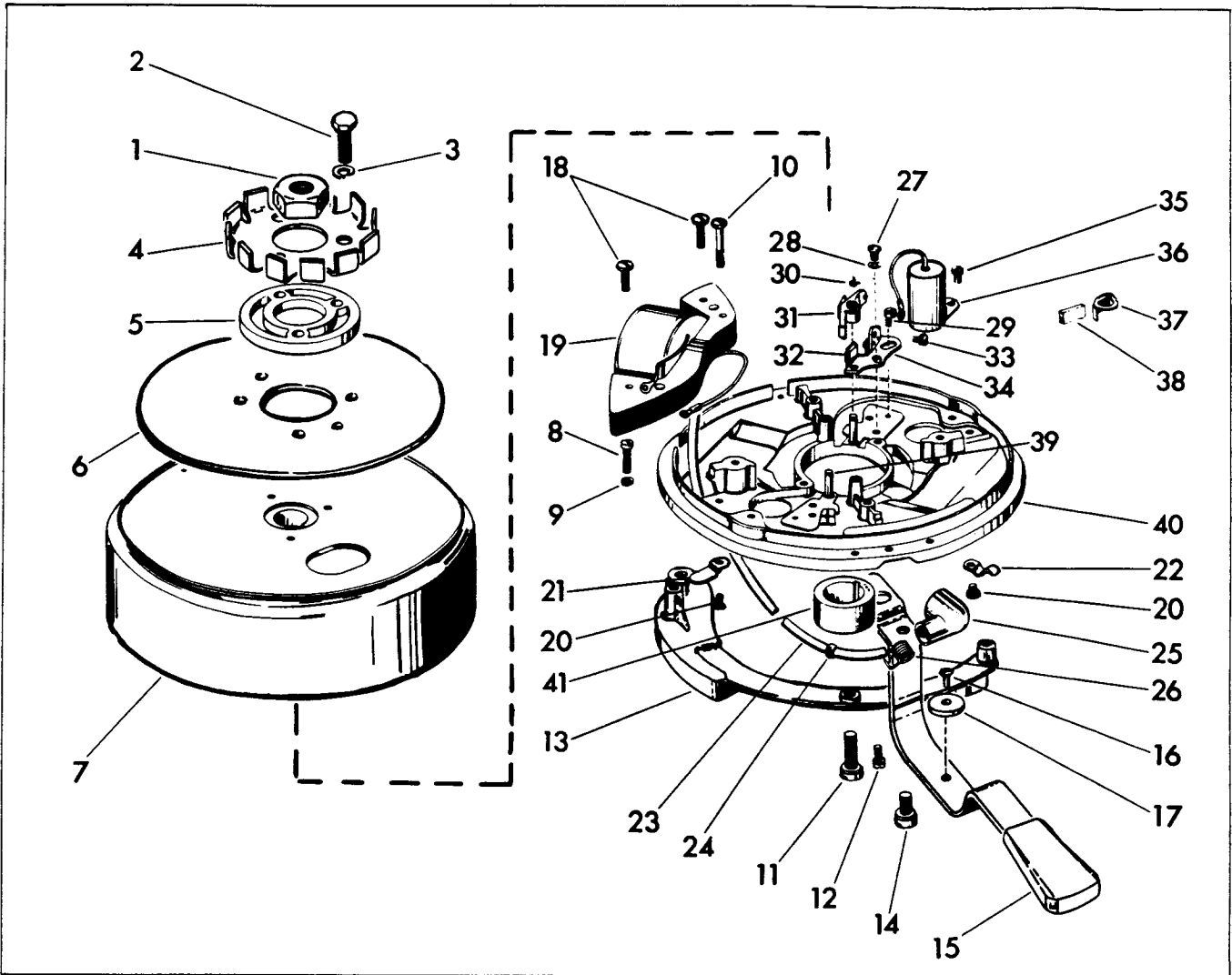


REF. NO.	PART NO.	NAME OF PART	QTY.	REF. NO.	PART NO.	NAME OF PART	QTY.
*	276830	Starter housing assembly	1	18	302222	Starter friction spring	1
1	132679	Housing to tank screw (front)	2	19	302104	Starter pawl retaining screw	3
2	19X124	Housing screw lock washer	2	20	71X1026	Retaining screw lock washer	3
3	202689	Filler plug drive screw	1	21	202317	Starter pawl retainer	3
4	202377	Filler cover strap screw	1	22	202470	Starter pawl	3
5	202208	Filler plug strap washer	1	23	276589	Starter pulley assembly	1
6	276852	Filler plug strap	1	24	276510	Starter spring assembly	1
7	277153	Filler plug	1	25	43A144	Starter rope anchor	1
8	202589	Filler cover spring screw	1	26	551206	Starter rope clamp screw	1
9	202588	Filler plug cover spring	1	27	551205	Starter rope clamp (CTSK)	1
10	202587	Filler plug cover	1	28	591214	Starter rope clamp, flanged	1
11	131991	Starter retaining screw	1	29	202479	Starter handle	1
12	13X51	Retaining screw lock washer	1	30	44A19	Starter rope and anchor	1
13	202356	Starter spindle washer	1	31	202591	Filler plug seal	1
14	276643	Starter spindle and pin	1	32	277022	Starter housing and anchor	1
15	202156	Starter hub pin	1	33	203107	Fuel and lubrication transfer	1
16	202155	Equalizer spring	3	34	203314	Medallion transfer	1
17	202114	Equalizer cup	1				

* Not shown

ORDER YOUR PARTS FROM YOUR DISTRICT SERVICE STATION.

FLEETWIN ARMATURE PLATE - FLYWHEEL

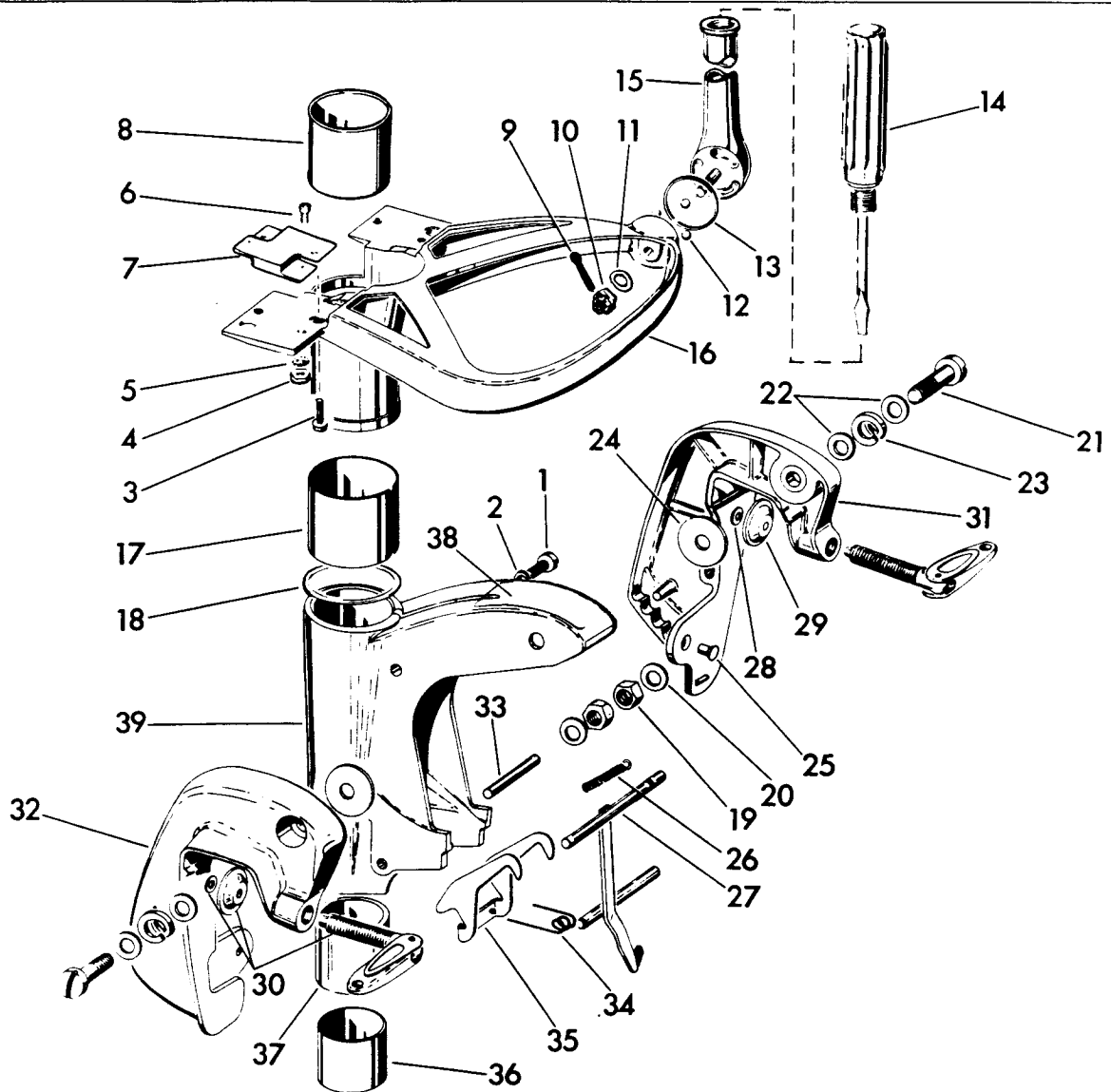


REF. NO.	PART NO.	NAME OF PART	QTY.	REF. NO.	PART NO.	NAME OF PART	QTY.
1	301988	Flywheel nut	1	20	510193	High tension lead clamp screw . . .	4
2	51X135	Starter ratchet base screw	3	21	510190	High tension lead clamp	1
3	19X124	Starter ratchet base lock washer .	3	22	510218	High tension lead clamp	1
4	202111	Starter ratchet	1	23	580134	High tension lead assembly, upper	1
5	202971	Starter ratchet spacer	1	*	580135	High tension lead assembly, lower	1
6	303249	Inspection hole cover	1	24	120783	Marker	1
7	580107	Flywheel	1	25	510232	Spark plug rubber cover	2
8	510192	Armature plate mounting screw . .	2	26	510231	Spark plug lead spring terminal . .	2
9	3X28	Armature plate mounting screw lock washer	2	27	130255	Breaker mounting screw	2
10	510191	Armature mounting screw	2	28	510208	Bow washer	2
11	202728	Cam to arm plate screw, long . . .	2	29	510185	Breaker eccentric screw	2
12	202992	Armature plate handle and cam screw, short	2	*	580148	Breaker assembly	2
13	202968	Armature plate cam	1	30	71A1052	Spring clip	2
14	202924	Armature plate handle screw . . .	1	31	580123	Rocker arm assembly	2
15	277024	Armature plate handle with friction washer	1	32	510204	Breaker spring clip	2
16	202717	Armature plate handle rivet	1	33	510194	Breaker terminal screw	2
17	202713	Armature handle friction washer .	1	34	580122	Breaker base assembly	2
*	580120	Armature plate less handle and cam assembly	1	35	510193	Condenser mounting screw	4
18	510195	Lamination mounting screw	4	36	510173	Condenser	2
19	580118	Coil and lamination assembly . . .	2	37	510188	Oiler clip	1
				38	510189	Oiler wick	1
				39	510178	Rocker arm post	2
				40	580121	Armature plate and post assembly .	1
				41	510168	Magneto cam	1

* Not shown

ORDER YOUR PARTS FROM YOUR DISTRICT SERVICE STATION.

FLEETWIN CARRYING HANDLE - PIVOT BEARING - STERN BRACKET

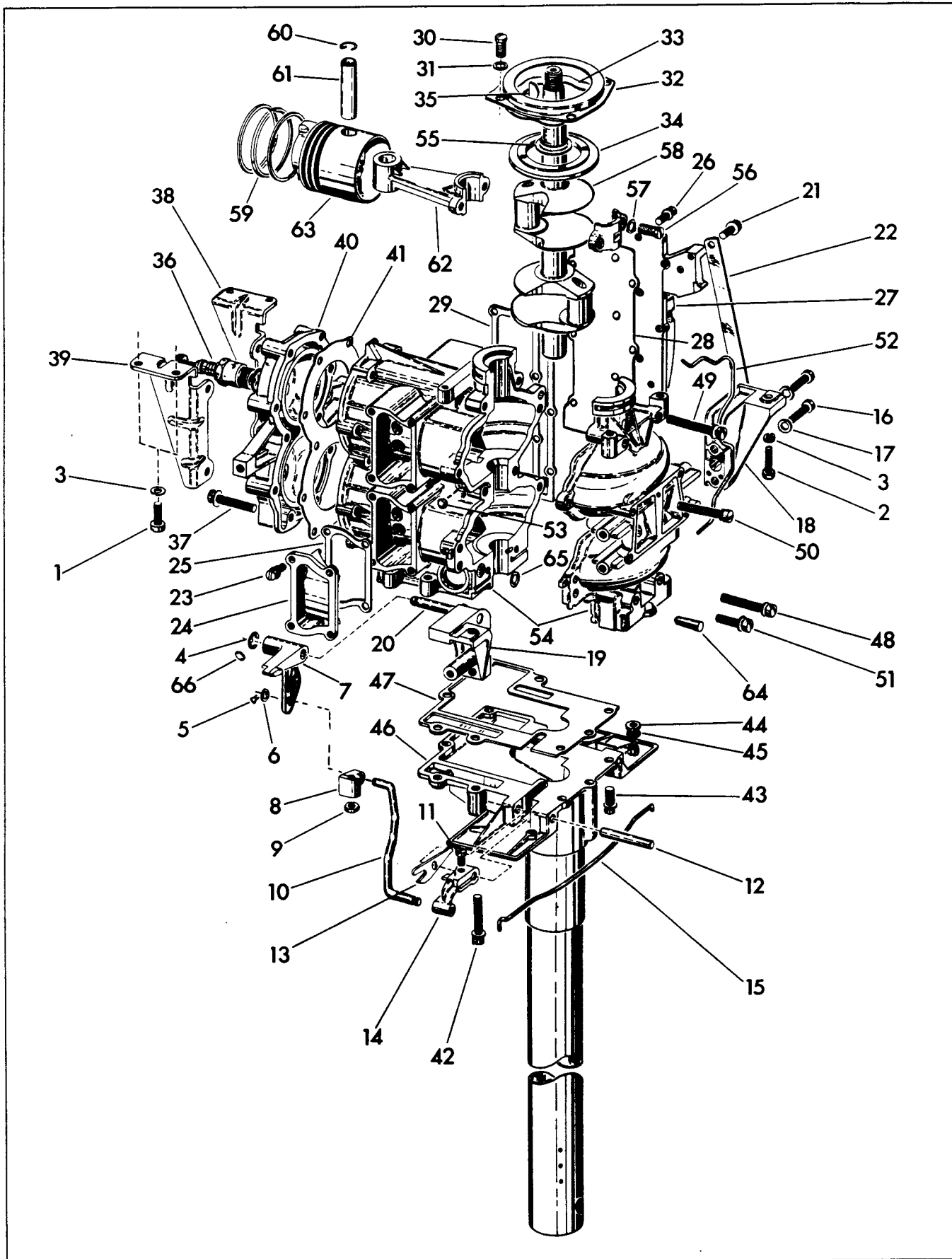


REF. NO.	PART NO.	NAME OF PART	QTY.	REF. NO.	PART NO.	NAME OF PART	QTY.
1	37X121	Pivot bearing clamp screw	1	21	202024	Tilting bolt	2
2	202387	Pivot bearing clamp screw lock washer	1	22	202026	Tilting bolt washer	3
3	203023	Shock mount screw	4	23	202027	Tilting bolt spring	2
4	130728	Shock mount screw nut	4	24	202036	Pivot bearing friction washer	2
5	51X137	Lock washer	4	25	202008	Stern bracket rivet	1
6	203036	Shock mount screw	4	26	202021	Tilting lever spring	1
7	277080	Shock mount assembly	2	27	276417	Tilting lever assembly	1
8	203037	Carrying handle thrust absorber	1	28	302420	Button retainer	2
9	17X186	Steering lever cotter pin	1	29	41A48	Clamp screw button	2
10	7X25	Steering lever nut	1	30	375744	Clamp screw assembly with button and retainer	2
11	202000	Steering lever friction washer	1	31	276614	Bracket with screw and button (port)	1
12	160084	Steering lever ball	3	32	276615	Bracket with screw and button (starboard)	1
13	202617	Steering lever shim	1	33	202424	Reverse lock pin	1
14	276420	Steering handle grip assembly	1	34	202447	Reverse lock spring	1
15	276899	Steering handle and screw	1	35	202458	Reverse lock	1
16	202767	Carrying handle	1	36	202443	Pivot bearing bushing liner	1
17	202439	Pivot bearing shim	1	37	202691	Pivot bearing bushing	1
18	301892	Thrust washer (when needed)	1	38	202815	Operating instruction transfer	1
*	276595	Stern bracket assembly	1	39	276896	Pivot bearing assembly	1
19	202025	Tilting bolt lock nut	2				
20	202026	Tilting bolt washer	3				

* Not shown

ORDER YOUR PARTS FROM YOUR DISTRICT SERVICE STATION.

FLEETWIN POWER HEAD



ORDER YOUR PARTS FROM YOUR DISTRICT SERVICE STATION.

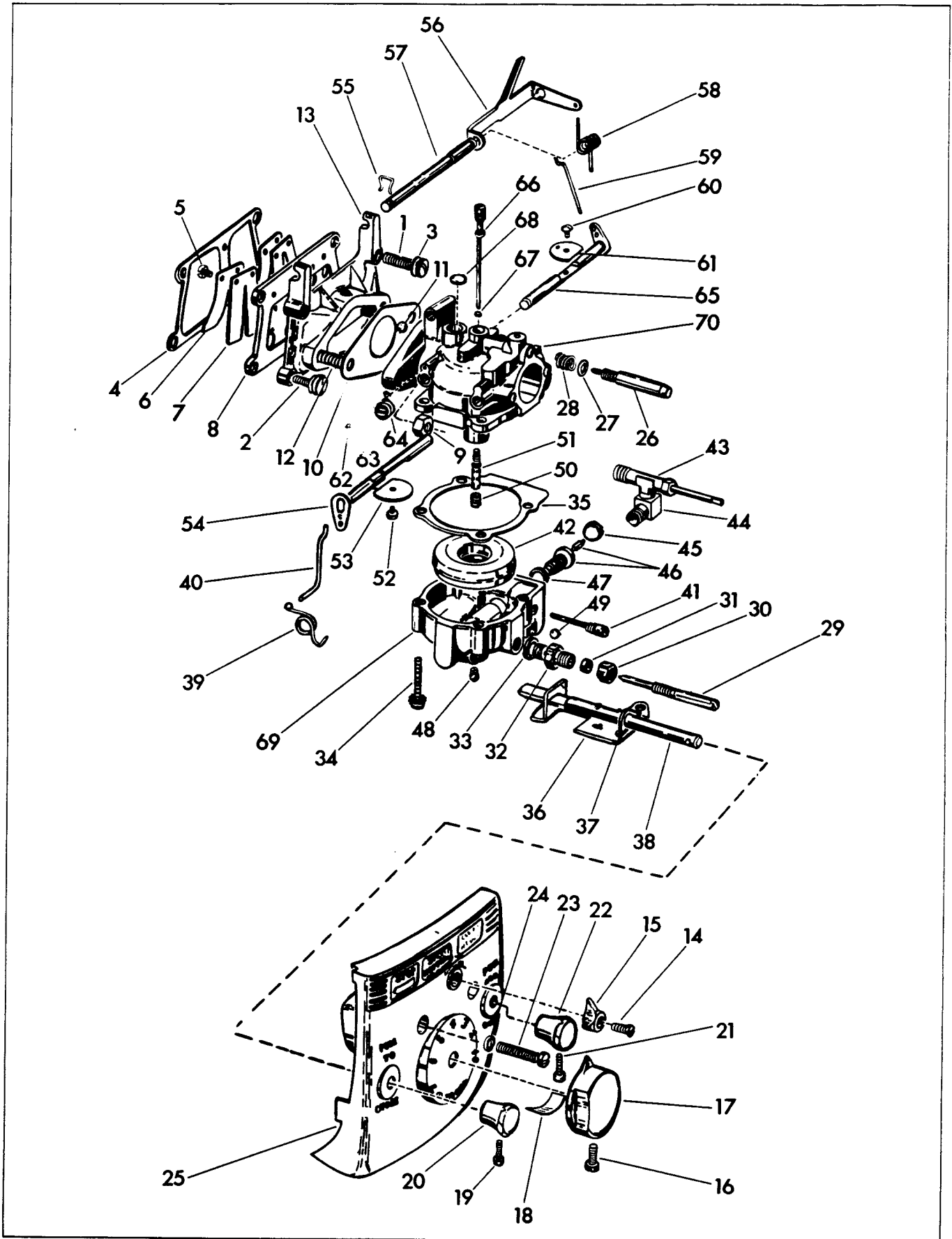
FLEETWIN POWER HEAD

REF. NO.	PART NO.	NAME OF PART	QTY.	REF. NO.	PART NO.	NAME OF PART	QTY.
1	51X47	Starter housing and tank mounting screw	4	37	202727	Cylinder head cap screw	10
2	21X167	Fuel tank mounting screw	2	38	202530	Starter housing bracket (port) . . .	1
3	19X124	Starter housing and tank mounting screw lock washer	2	39	202531	Starter housing bracket (starboard)	1
4	202139	Cam lever retaining ring	1	40	277140	Cylinder head	1
5	71A1052	Cam lever rod retaining clip	1	41	203034	Cylinder head gasket	1
6	71X1531	Cam lever rod washer	1	42	202864	Exhaust collector screw	1
7	202731	Clutch operating cam lever	1	43	202927	Exhaust collector screw	6
8	202723	Clutch control adjusting sleeve . . .	1	44	15X254	Shock mount screw nut	4
9	21X274	Clutch control knob lock nut	1	45	51X137	Lock washer	4
10	202649	Cam shift operating rod	1	46	277091	Exhaust collector and drive shaft tube assembly	1
11	43X259	Secondary shift lever screw	1	46	277092	Exhaust collector and drive shaft tube assembly (5 in. longer) . . .	1
12	202664	Lever pivot shaft	1	47	202581	Exhaust collector housing gasket . . .	1
13	203038	Primary shift lever	1	48	202824	Crank case to cylinder screw	2
14	202676	Secondary shift lever (upper)	1	49	202823	Crank case to cylinder screw	2
15	202745	Secondary shift lever spring rod . . .	1	50	202564	Crank case screw	2
16	21X167	Mounting bracket screw	4	51	202825	Crank case to cylinder screw	4
17	19X124	Bracket screw lock washer	4	52	202594	Oil transfer tube	1
18	202576	Mounting bracket (port)	1	53	27X309	Water passage welch plug	3
19	276879	Mounting bracket (starboard)	1	54	277093	Cylinder and crank case assembly . . .	1
20	202734	Cam lever shaft	1	55	41A362	Oil slinger	1
21	202927	Shift lever spring screw	1	56	43A44	Connecting rod screw	4
22	202675	Secondary Shift Lever Spring	1	57	41A17	Connecting rod screw lock plate . . .	4
23	202724	By pass cover plate screw	8	58	203221	Crank shaft	1
24	202527	By pass cover	2	59	202524	Piston ring	6
25	202528	By pass cover gasket	2	59	203232	Piston ring .020 O.S.	6
26	202916	Exhaust cover plate screw	10	60	120325	Piston pin spring ring	4
27	203019	Exhaust cover plate	1	61	202522	Piston pin	2
28	203020	Exhaust cover plate water baffle . . .	1	61	202523	Piston pin .005 O.S.	2
29	202580	Exhaust cover plate gasket	1	62	277195	Connecting rod assembly	2
30	133091	Armature plate support screw	4	63	276790	Piston, less rings	2
31	551069	Armature plate support screw lock washer	4	63	277200	Piston, less rings, .020 O.S.	2
32	302441	Armature plate support	1	64	300402	Taper pin	2
33	301855	Armature plate wave washer	1	65	202893	Water port seal "O" ring	1
34	302442	Armature plate retaining ring	1	66	7X178	Welch plug, oil reservoir	1
35	120395	Flywheel key	1	*	277090	Tool kit	1
36	200322	Spark plugs	2	*	551250	Spark plug wrench	1
				*	43A128	Breaker and spark plug feeler	1

* Not shown

ORDER YOUR PARTS FROM YOUR DISTRICT SERVICE STATION.

FLEETWIN CARBURETOR ASSEMBLY



ORDER YOUR PARTS FROM YOUR DISTRICT SERVICE STATION.

FLEETWIN CARBURETOR ASSEMBLY

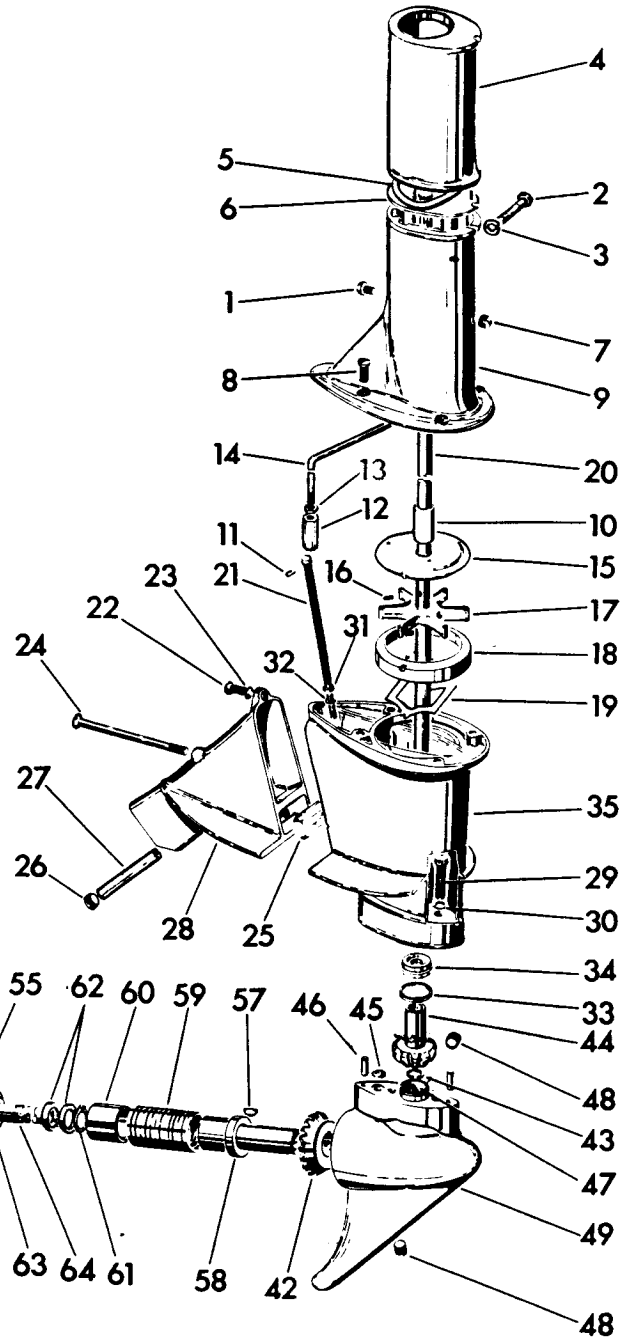
REF. NO.	PART NO.	NAME OF PART	QTY.	REF. NO.	PART NO.	NAME OF PART	QTY.
*	276978	Carburetor and control panel assembly	1	35	551142	Float bowl gasket	1
*	276981	Carburetor assembly less panel	1	36	202630	Choke rod bracket	1
1	203064	Carburetor manifold screw (upper)	2	37	202868	Choke shaft friction clip	1
2	203065	Carburetor manifold screw (lower)	2	38	202632	Choke rod	1
3	300154	Carburetor manifold screw washer	4	39	202657	Choke rod spring	1
4	202602	Carburetor manifold gasket	1	40	202658	Choke rod to lever link	1
5	202607	Reed valve screw	4	41	551202	Float pinion pin	1
6	202688	Reed back-up plate	2	42	590627	Float assembly	1
7	202667	Reed	2	43	276985	Fuel valve assembly	1
8	276853	Carburetor reed plate assembly	1	44	202900	Fuel valve elbow	1
9	19X136	Carburetor manifold stud nut	2	45	551139	Inlet needle plug screw	1
10	551081	Carburetor gasket	1	46	276914	Inlet needle and seat assembly - matched	1
11	202785	Channel plug	3	47	551203	Inlet seat gasket	1
12	550494	Carburetor manifold stud	2	48	551132	Float bowl drain screw	1
13	276987	Carburetor manifold and stud assembly	1	49	160088	Float bowl channel plug	2
14	302412	Low speed knob screw	1	50	202911	Body plug screw	1
15	276891	Low speed knob and screw	1	51	202778	Nozzle	1
16	43X147	High speed knob screw	1	52	551133	Choke shutter screw	1
17	276906	High speed knob assembly	1	53	202783	Choke shutter	1
18	202656	Knob retainer spring	1	54	276911	Choke shaft and lever assembly	1
19	71X1304	Choke knob screw	1	55	71A1052	Cam follower clip	2
20	276905	Choke knob assembly	1	56	202663	Cam follower lever	1
21	53X196	Fuel knob screw	1	57	202619	Cam follower shaft	1
22	276989	Fuel valve knob	1	58	202616	Cam follower spring	1
23	302411	Control panel screw	2	59	202621	Throttle link	1
24	3X28	Control panel screw lock washer	2	60	551133	Throttle shutter screw	1
25	202674	Control panel	1	61	202779	Throttle shutter	1
26	202782	Idle adjusting screw	1	62	202777	Anchor pin	1
27	202772	Idle adjusting screw washer	1	63	202781	Spring clip	1
28	202949	Idle adjusting screw spring	1	64	551145	Return spring	1
29	276915	Needle valve adjusting screw assembly	1	65	276910	Throttle shaft and lever assembly	1
30	130587	Stuffing box nut	1	66	276912	By pass tube assembly	1
31	171089	Stuffing box packing	2	67	551141	By pass tube gasket	1
32	130586	Stuffing box gland	1	68	120773	Welch plug	1
33	170182	Stuffing box gasket	1	69	276998	Float bowl assembly (lower)	1
34	551136	Carburetor body screw	4	70	276997	Carburetor body assembly (upper only)	1

* Not shown

ORDER YOUR PARTS FROM YOUR DISTRICT SERVICE STATION.

FLEETWIN PUMP BODY - GEAR HOUSING

REF. NO.	PART NO.	NAME OF PART	QTY.
*	276889	Gear housing assembly	1
*	276890	Gear housing assembly (5 in. longer)	1
1	133091	Drive shaft tube screw	1
2	7X31	Pump body clamp screw	1
3	202387	Clamp screw lock washer	1
4	276895	Pump body spacer (5 in. longer)	1
5	202433	Pump body tension washer	1
6	202618	Pump body sealing washer	1
7	130314	Flushing plug	1
8	202699	Pump body screw	4
9	276897	Upper pump body and bushing	1
10	202431	Pump body bushing	1
11	203040	Lower clutch rod lock wire	1
12	203039	Clutch rod adjusting nut	1
13	202780	Clutch rod adjusting nut lock nut	1
14	203041	Clutch rod, upper	1
14	203042	Clutch rod, upper (5 in. longer)	1
15	202444	Water pump outlet plate	1
16	300771	Pump impeller pin	1
17	276983	Pump impeller	1
18	202411	Water pump impeller housing	1
19	202623	Pump sealing spring	1
20	202908	Drive shaft	1
20	202909	Drive shaft (5 in. longer)	1
21	203118	Clutch rod, lower	1
22	202699	Exhaust outlet screw (short)	1
23	302466	Exhaust outlet screw lock washer	1
24	202610	Exhaust outlet screw (long)	1
25	202862	Exhaust outlet dowel block	1
26	13A542	Water inlet plug	1
27	202661	Water inlet screen	1
28	276898	Exhaust outlet and screen	1
29	202624	Pump body to gear housing screw	2
30	202349	Lock washer	2
31	202902	Seal retaining washer	1
32	202612	Clutch rod upper seal	1



33	202642	Lower pump body pinion seal	1
34	202274	Drive shaft seal	1
35	277049	Pump body, lower	1
36	201880	Propeller shaft cap	1
37	302417	Propeller shaft cotter pin	1
38	202775	Propeller drive pin	1
39	276866	Propeller assembly	1
40	33X78	Gear housing cap screw	3
41	202613	Gear housing cap screw washer	3
42	202654	Propeller shaft gear	1
43	301883	Drive shaft retaining ring	1
44	276903	Pinion and retaining ring assembly	1
45	202590	Clutch rod lower seal	1
46	202700	Gear housing dowel pin	2
47	202652	Pinion bushing	1
48	130314	Gear housing plug	2
49	276894	Gear housing and pinion bushing	1
50	202641	Gear housing cap seal	1
51	202686	Propeller shaft seal	1
52	276840	Gear housing cap and bushing assembly	1

53	202640	Gear housing cap retaining ring	1
54	203116	Clutch lever	1
55	203117	Clutch lever spring	1
56	203115	Clutch lever support collar	1
*	277128	Propeller shaft and clutch drum assembly	1
57	203077	Propeller shaft key	1
58	276904	Clutch drum, front, and gear drive hub assembly	1
59	202659	Clutch drive spring	1
60	202660	Clutch drum, rear	1
61	202716	Thrust washer retaining ring	1
62	202684	Clutch slip ring	9
63	202682	Propeller shaft thrust washer	1
64	202639	Propeller shaft only	1

* Not shown

ORDER YOUR PARTS FROM YOUR DISTRICT SERVICE STATION.

EVINRUDE MOTORS • MILWAUKEE 16, WISCONSIN
IN CANADA: EVINRUDE MOTORS, PETERBOROUGH, ONTARIO