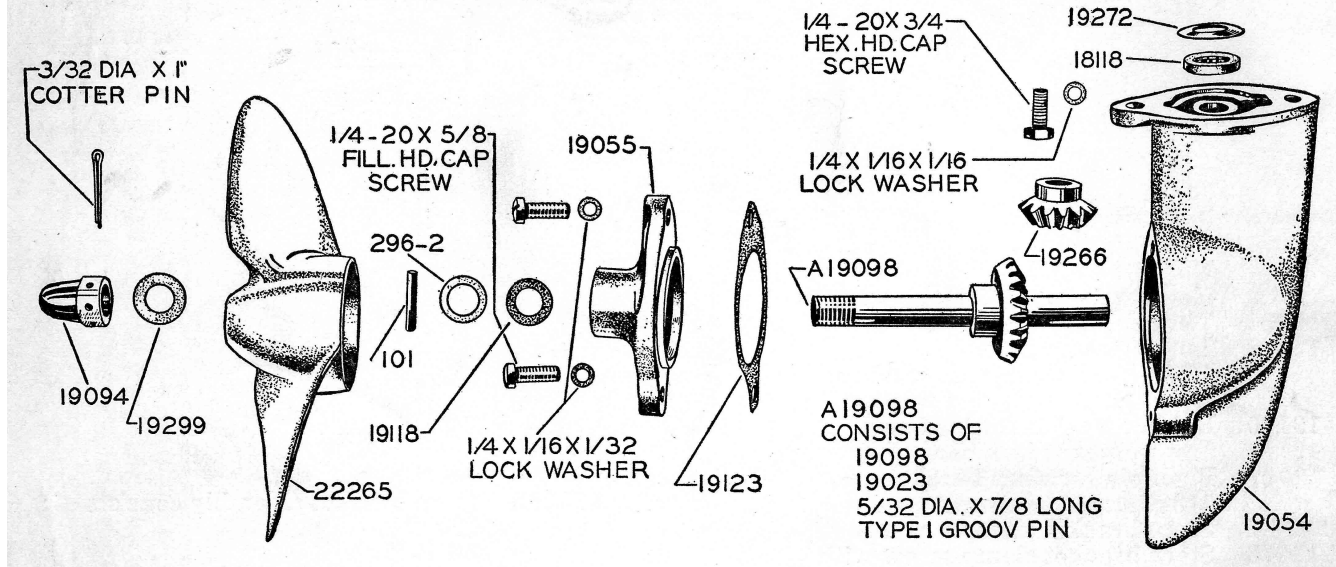


## Early Direct Drive

# Gear Housing and Propeller Unit



## Later Direct Drive

# Gear Housing and Propeller Unit

