

PARTS LIST

EVINRUDE SUPER FASTWIN

MODEL 15012-15013

INSTRUCTIONS ON HOW TO ORDER

For their convenience, as well as ours, we ask our customers to carefully follow our instructions in ordering parts.

We also request that owners order their parts from our dealer or nearest service station or distributor.

ORDER BY PART NUMBER GIVING NAME OF PART ALSO.

ALWAYS GIVE THE SERIAL NUMBER OF THE MOTOR FOR WHICH PART OR PARTS ARE REQUIRED.

This is very important, and is necessary to intelligently fill your order. If you cannot give the number of the motor, state when and from whom the motor was purchased.

TELEGRAMS AND HOW TO USE "EVINRUDE CODE."

Telegram rates are based on fifteen words or less, for immediate delivery. Day letter or night letter rates are considerably cheaper. Detailed information may be found on rear of any telegram blank.

Use the following code only on messages of more than fifteen words. Each five code letters are charged

for as a word. English words and code words may be used in the same message, but code letters cannot be combined with English words.

A - 1	G - 7	L - Air Parcel Post
B - 2	H - 8	M - Freight - Truck
C - 3	I - 9	V - Air Express
D - 4	J - 0	X - Express
E - 5	K - Each	Y - Parcel Post
F - 6	P - Number	Z - Freight - Railway

Following is an example of a telegram not coded and the same reduced to code:

(NOT CODED - 22 WORDS.)

Parcel Post Two Number One Three Naught Naught Four Four Propeller Nut Twelve Number One Three Naught Naught Five Three Shear Pins.

(CODED - 8 WORDS.)

YBPAC JJDD Propeller Nut ABPAC JJEC Shear Pins.

Do not use this code in cable messages.

ROUTING • TERMS • RETURNS

SHIPPING INSTRUCTIONS.

Unless specific instructions accompany the order, we will use our own judgement on how to ship.

TERMS: CASH WITH ORDER OR C.O.D.

In ordering parts, to avoid C.O.D. shipments and extra charges, all orders should be accompanied by cash. Save time and money by remitting sufficient cash to cover cost of parts and Transportation Charges. Stamps are accepted in payment of all orders not over \$1.00. The right to hold all

orders unaccompanied by cash is reserved by Evinrude Motors, Milwaukee.

A minimum charge of \$0.50 net will be made on all orders amounting to less than this amount. We reserve the right to furnish additional parts to make up the difference.

INSTRUCTIONS ON RETURNING PARTS.

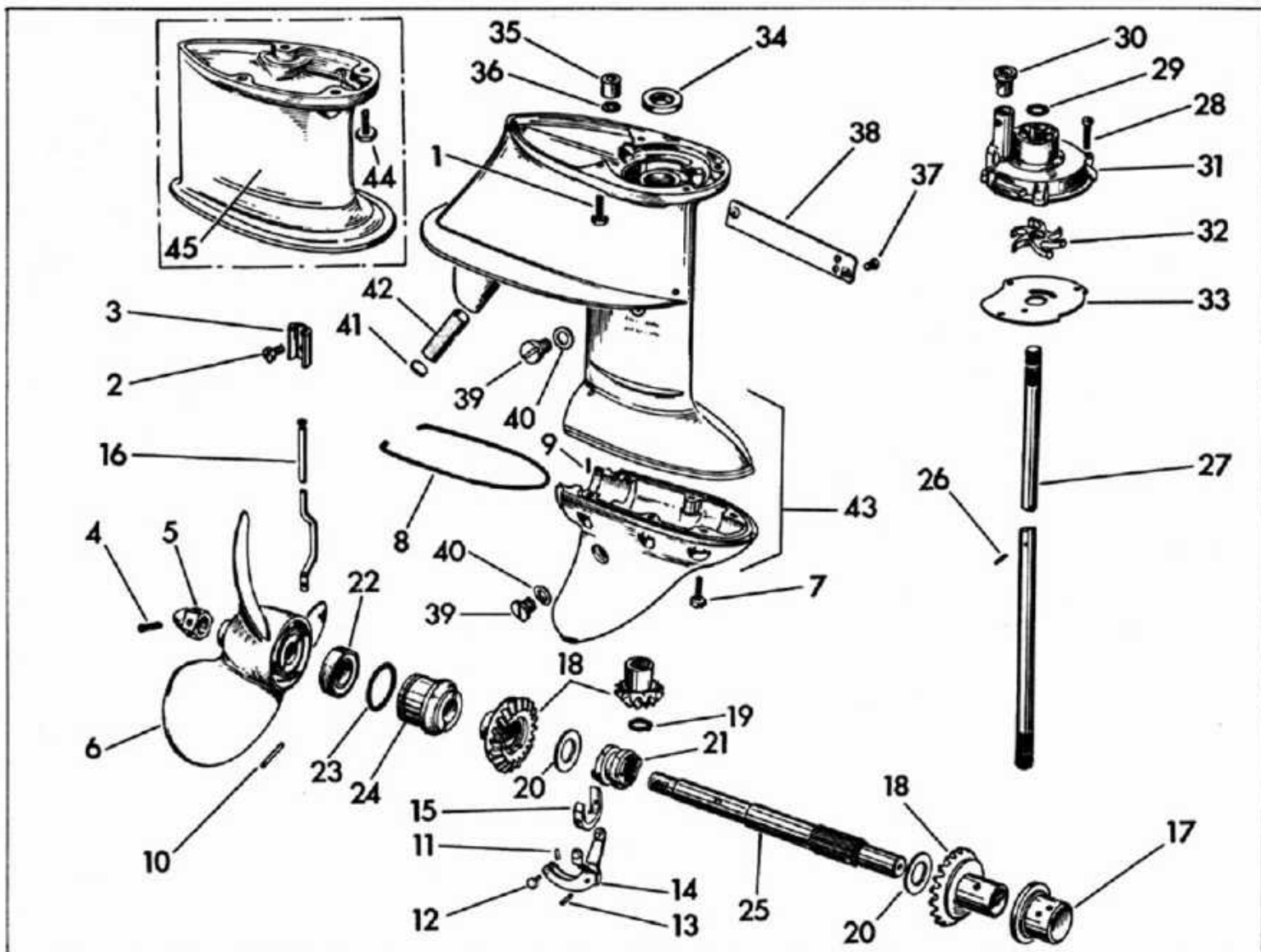
Parts can only be returned in accordance with terms outlined under the Service Policy laid down in the instruction manual.

ALL PRICES SUBJECT TO CHANGE WITHOUT NOTICE

EVINRUDE MOTORS, Milwaukee, Wis., U.S.A.

CABLE ADDRESS "EVINRUDE"

SUPER FASTWIN GEAR CASE

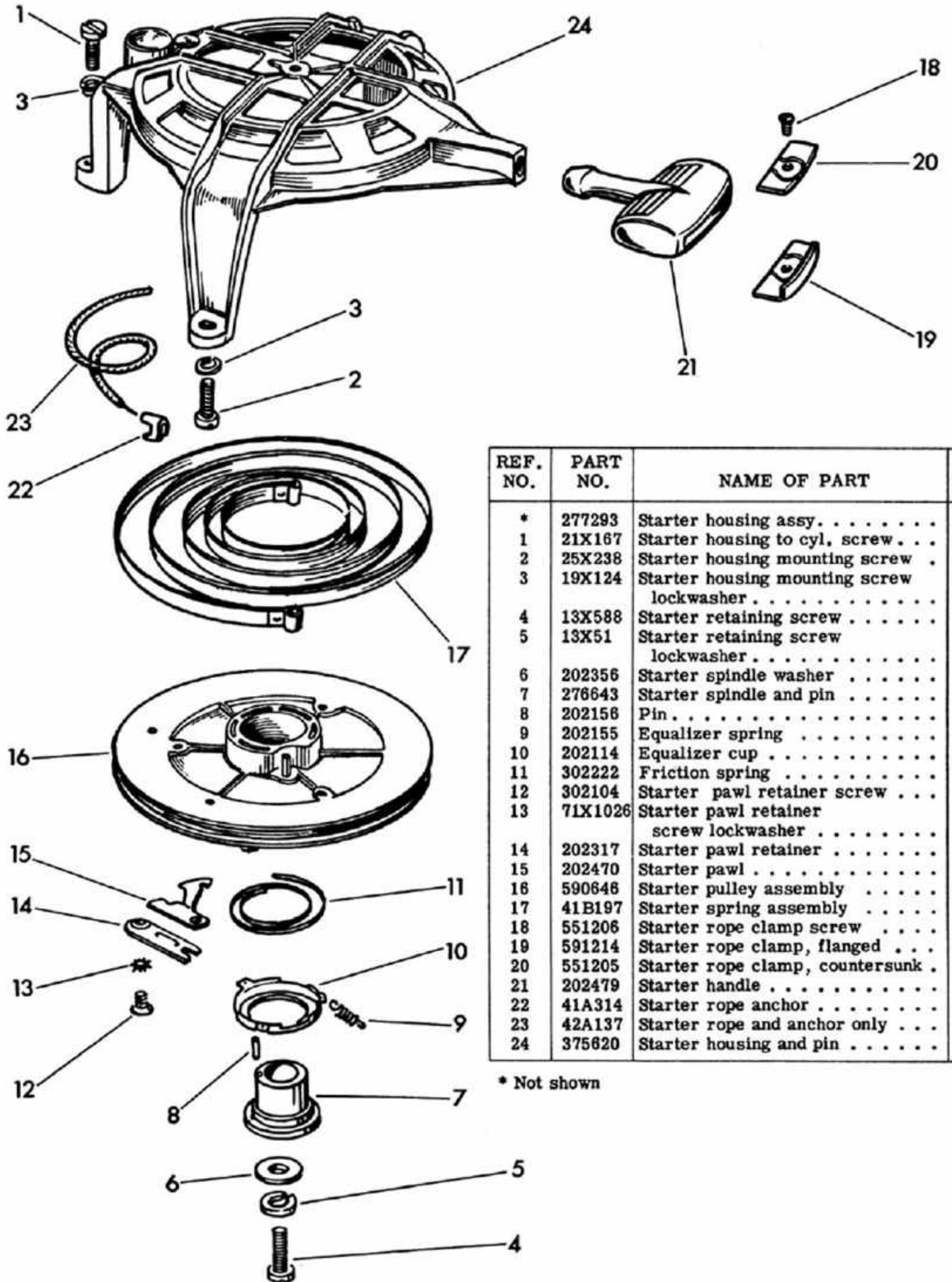


REF. NO.	PART NO.	NAME OF PART	QTY.	REF. NO.	PART NO.	NAME OF PART	QTY.
*	376152	Gear case assy.	1	23	302493	Gear case head "O" ring	1
1	302510	Upper gear housing to exhaust housing screw	4	24	375751	Gear housing head and brg. assy	1
2	303147	Shift rod connector screw	2	25	302483	Propeller shaft	1
3	303148	Upper and lower shift rod connector	1	26	300771	Pump impeller pin	1
4	302381	Propeller nut cotter pin	1	27	302491	Drive shaft	1
5	132477	Propeller nut	1	27	302512	Drive shaft, 5 in. longer	1
6	277212	Propeller and bushing	1	28	302508	Impeller housing to upper gear housing screw	3
7	33X76	Gear housing screw	6	29	303067	Drive shaft to crankshaft "O" ring	1
8	302513	Upper to lower gear case seal	1	30	302497	Water tube grommet, lower.	1
9	300611	Front and rear bearing dowel	2	31	303070	Impeller housing	1
10	301923	Propeller shear pin	1	32	375638	Water pump impeller	1
11	301912	Yoke to pin cotter pin	1	33	303069	Impeller housing plate	1
12	302504	Yoke to shift rod pin	1	34	41A62	Drive shaft seal	1
13	302501	Shifter lever pivot pin	1	35	301878	Shift rod bushing, lower.	1
14	375755	Shifter lever and pin assy.	1	36	301877	Lower shift rod seal "O" ring.	1
15	302500	Cradle	1	37	302509	Water bypass cover screw	2
16	303098	Shift rod, lower	1	38	203089	Water bypass cover	1
16	303257	Shift rod, lower, 5 in. longer.	1	39	27A283	Oil plug	2
17	302496	Front bearing	1	40	27X284	Oil plug washer	2
18	375844	Set of gears	1	41	300314	Water intake screen plug	1
19	301883	Pinion retaining ring	1	42	302757	Water intake screen.	1
20	301884	Propeller shaft thrust washer.	2	43	277144	Gear housing, upper and lower.	1
21	375711	Clutch dog shifter assy	1	44	302510	Gear housing to gear case extension screw, 5 in. longer	4
22	302495	Propeller shaft seal	1	45	303260	Gear case extension, 5 in. longer	1

*Not shown.

ORDER YOUR PARTS FROM YOUR DISTRICT SERVICE STATION

SUPER FASTWIN STARTER

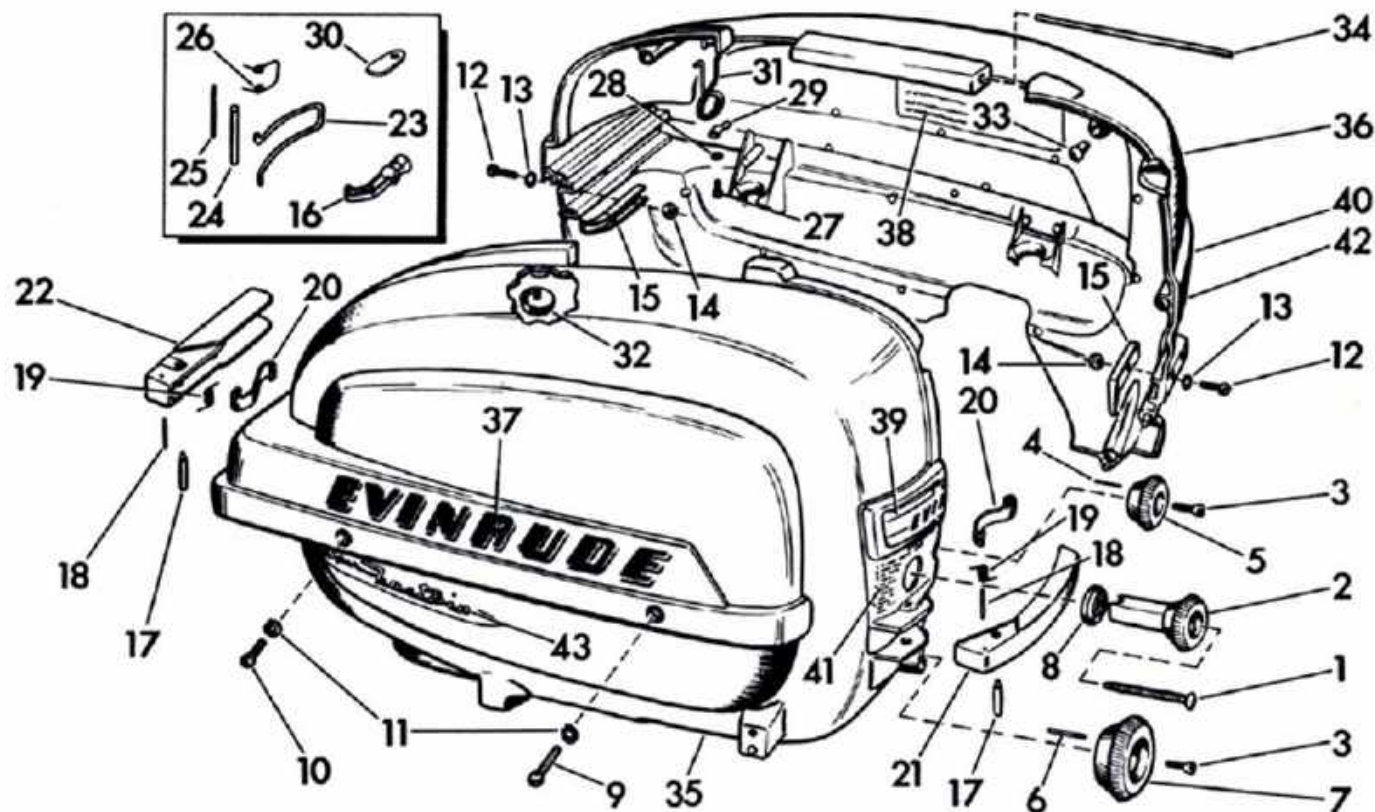


REF. NO.	PART NO.	NAME OF PART	QTY.
*	277293	Starter housing assy.	1
1	21X167	Starter housing to cyl. screw . . .	1
2	25X238	Starter housing mounting screw .	2
3	19X124	Starter housing mounting screw lockwasher	3
4	13X588	Starter retaining screw	1
5	13X51	Starter retaining screw lockwasher	1
6	202356	Starter spindle washer	1
7	276643	Starter spindle and pin	1
8	202158	Pin	1
9	202155	Equalizer spring	3
10	202114	Equalizer cup	1
11	302222	Friction spring	1
12	302104	Starter pawl retainer screw . . .	3
13	71X1026	Starter pawl retainer screw lockwasher	3
14	202317	Starter pawl retainer	3
15	202470	Starter pawl	3
16	590648	Starter pulley assembly	1
17	41B197	Starter spring assembly	1
18	551206	Starter rope clamp screw	1
19	591214	Starter rope clamp, flanged . . .	1
20	551205	Starter rope clamp, countersunk .	1
21	202479	Starter handle	1
22	41A314	Starter rope anchor	1
23	42A137	Starter rope and anchor only . . .	1
24	375620	Starter housing and pin	1

* Not shown

ORDER YOUR PARTS FROM YOUR DISTRICT SERVICE STATION

SUPER FASTWIN MOTOR COVER

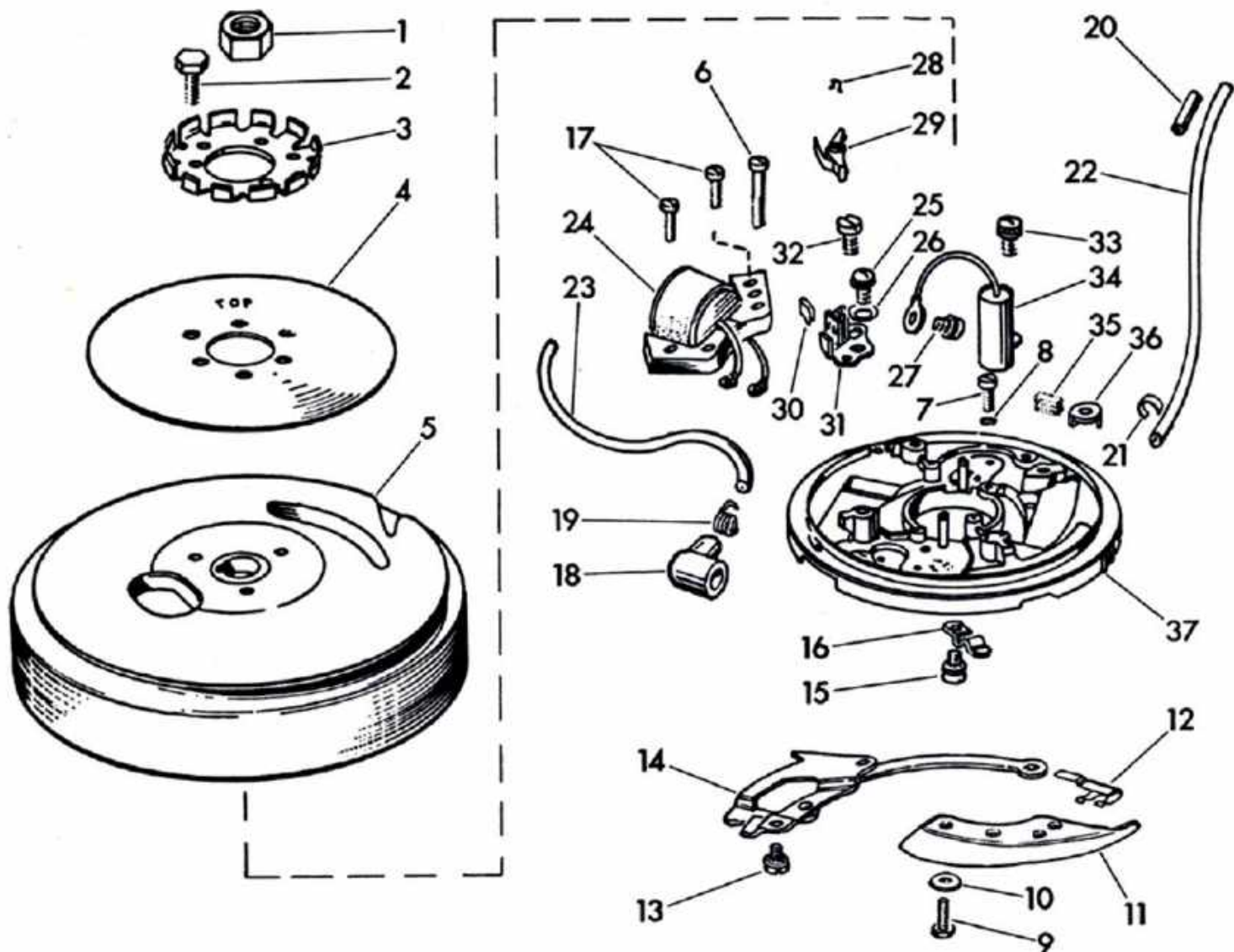


REF. NO.	PART NO.	NAME OF PART	QTY.	REF. NO.	PART NO.	NAME OF PART	QTY.
1	302761	Choke knob screw	1	22	277233	Cover latch and bale assy, rear, motors 15012-05301 and up . . .	1
2	203295	Choke control knob	1	23	203281	Cover latch bale, to motors 15012-05300	2
3	551517	High and low speed control knob screw	2	24	303261	Bale spring pin, to motors 15012-05300	2
4	303181	Low speed knob stop pin	1	25	203284	Cover latch stop pin, front and rear, to motors 15012-05300 . .	2
5	277231	Control knob and stop pin-slow speed	1	26	203338	Cover latch bale spring, to motors 15012-05300	2
6	303182	High speed knob stop pin	1	27	21X283	Spring retainer clip screw, motors 15012-07284 and up . . .	2
7	277230	High speed control knob and stop pin	1	27	25X74	Cover tension spring screw, to motors 15012-07283	2
8	203308	Motor cover to choke knob grommet	1	28	550757	Cover tension spring screw lockwasher	2
9	203300	Cover mounting screw, front . .	1	29	203419	Tension spring retainer clip, motors 15012-07284 and up . .	2
10	203301	Cover mounting screw, rear . . .	1	30	203350	Tension spring retainer clip, to motors 15012-07283	2
11	19X124	Cover mounting screw lockwasher	2	31	203351	Cover tension spring	1
12	39X176	Latch hook to motor cover screw, motors 15012-05301 and up . . .	2	32	277243	Cover to starter housing bumper assy	1
12	300258	Latch hook to motor cover screw, to motors 15012-05300	2	33	203290	Motor cover bumper.	5
13	303480	Latch hook screw lockwasher . .	2	34	203279	Motor cover hinge pin	1
14	301472	Latch hook screw nut, motors 15012-05301 and up	2	35	277228	Motor cover assy, starboard . . .	1
15	203420	Motor cover latch hook, motors 15012-05301 and up	2	36	277227	Motor cover assy, port	1
16	203289	Motor cover latch hook, to motors 15012-05300	2	37	203306	Motor cover transfer	2
17	203283	Front and rear cover latch hinge pin	2	38	203344	Instructions transfer	1
18	203423	Pivot pin, motors 15012-05301 and up.	2	39	203330	Medallion transfer-starboard . .	1
19	203422	Cover latch bale spring, motors 15012-05301 and up	2	40	203331	Medallion transfer-port side . . .	1
20	203421	Cover latch bale, motors 15012-05301 and up	2	41	203340	Operating instr. transfer-starboard	1
*	277296	Cover latch and bale assy, front and rear, to motors 15012-05300	1	42	203341	Operating instr. transfer, port side	1
21	277232	Cover latch and bale assy, front motors 15012-05301 and up . .	1	43	203324	Model identification-starboard . .	1
				*	203325	Model identification transfer-port side	1
				*	277222	Tool kit assy	1
				*	43A128	Breaker and spark plug feeler . .	1

* Not shown

ORDER YOUR PARTS FROM YOUR DISTRICT SERVICE STATION

SUPER FASTWIN MAGNETO

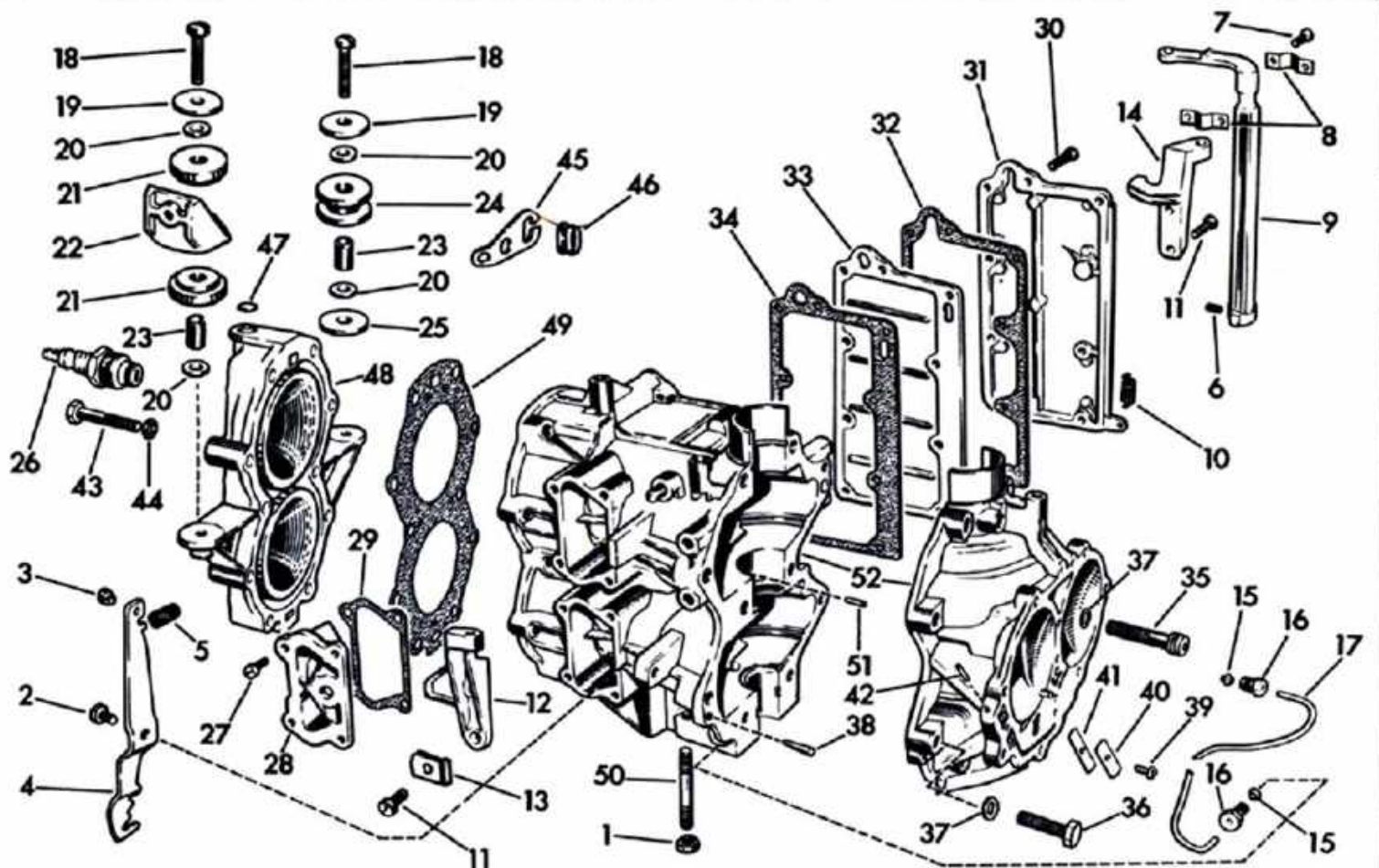


REF. NO.	PART NO.	NAME OF PART	QTY.	REF. NO.	PART NO.	NAME OF PART	QTY.
*	580153	Armature plate assy, less hdlc and cam	1	19	510231	Spark plug lead spring terminal.	2
1	301988	Flywheel nut	1	20	510233	High tension lead insulating sleeve	2
2	303289	Starter ratchet screw	3	21	120783	Marker	1
3	202111	Starter ratchet	1	22	510234	High tension lead only, upper . .	1
4	303249	Inspection hole cover	1	23	510235	High tension lead only, lower . .	1
5	580171	Flywheel	1	24	580118	Coil and lamination assembly . .	2
6	510191	Armature plate mounting screw	2	25	130255	Breaker mounting screw	2
7	510192	Armature plate mounting screw	2	26	510208	Bow washer	2
8	3X28	Armature plate mounting screw lockwasher	2	27	510194	Breaker terminal screw	2
9	302750	Throttle cam screw	2	*	580148	Breaker assembly	2
10	300154	Throttle cam screw washer . . .	2	28	71A1052	Spring clip	2
11	203277	Throttle control cam	1	29	580123	Rocker arm assembly	2
12	303146	Arm. plate link spring clip . . .	1	30	510204	Breaker spring clip	2
13	510193	Shifter lock stop screw	2	31	580122	Breaker base assembly	2
14	375995	Link and stop assy.	1	32	510185	Breaker eccentric screw	2
15	510193	High tension lead clip mounting screw	1	33	510193	Condenser mounting screw	2
16	510218	High tension lead clamp	1	34	510173	Condenser	2
17	510195	Lamination mounting screw . . .	4	35	510189	Oiler wick	1
18	510232	Spark plug rubber cover.	2	36	510188	Oiler clip	1
				37	580168	Armature plate and post	1

*Not shown

ORDER YOUR PARTS FROM YOUR DISTRICT SERVICE STATION

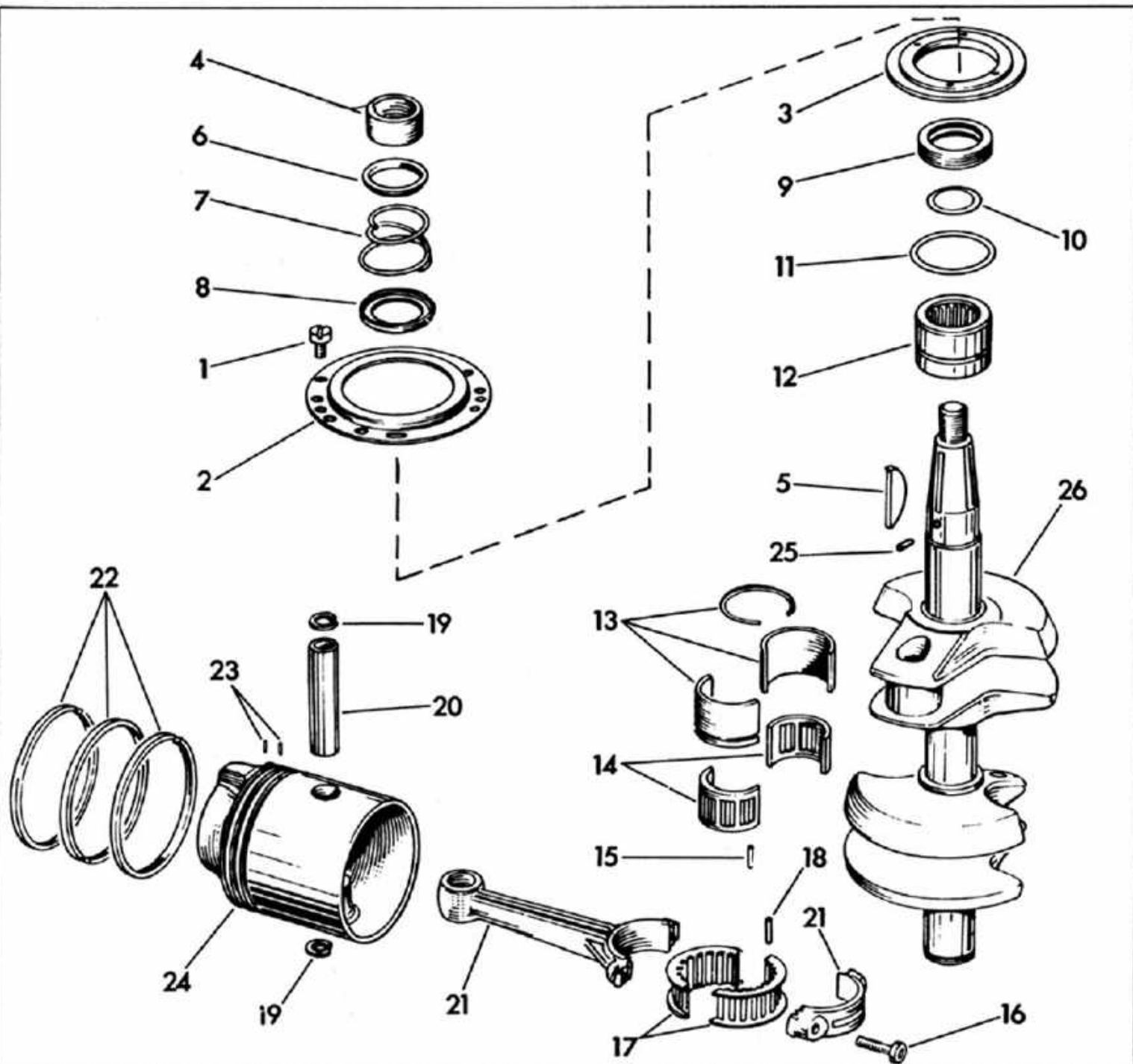
SUPER FASTWIN CRANKCASE AND CYLINDER



REF. NO.	PART NO.	NAME OF PART	QTY.	REF. NO.	PART NO.	NAME OF PART	QTY.
1	7X46	Flange to cylinder stud nut	1	25	302407	Cover mounting washer, port (where used)	2
2	302592	Shifter lock to cylinder screw. . .	1	26	200322	Spark plug assy	2
3	203453	Shifter lock bumper, motors 15012-12851 and up	1	27	43X259	Bypass cover screw	8
4	277297	Shifter lock, link and bumper assy, to motors 15012-12850.	1	28	203253	Bypass cover	2
4	203245	Shifter lock, motors 15012-12851 and up	1	29	203259	Bypass cover to cylinder gasket	2
5	302587	Shifter lock spring.	1	30	43X110	Exhaust cover screw	9
6	303236	Arm. plate control lever spring. . .	1	31	203252	Exhaust cover	1
7	43X156	Control lever brg. clamp screw . . .	2	32	203256	Exhaust cover to baffle plate gasket	1
8	303109	Control lever brg. clamp	2	33	203258	Exhaust cover baffle plate . . .	1
9	203390	Arm. plate control lever	1	34	203257	Baffle plate to cylinder gasket . .	1
10	302827	High tension lead spring	1	35	203249	Crankcase to cylinder screw, center	2
11	21X167	Starter mounting bracket screw. . .	4	36	25X242	Cylinder to crankcase screw . . .	8
12	203272	Starter mounting bracket, starboard	1	37	15X212	Crankcase to cyl. screw washer	6
13	203285	Oil line clip	1	38	300402	Taper pin	2
14	203271	Starter mounting bracket, port . . .	1	39	302227	Oil drain leaf valve screw.	1
15	11X61	Oil line gland	2	40	203248	Leaf valve oil drain plate	1
16	41A105	Oil line packing nut	2	41	203235	Crankcase oil drain leaf valve . .	1
17	203288	Oil line, tube	1	42	301732	Oil passage plug.	1
18	41X178	Cover mounting bracket and port grommet screw	2	43	21X486	Cylinder head screw.	10
19	302407	Cover mounting washer, large . . .	2	44	15X212	Cylinder head screw washer . . .	9
20	43X302	Cover mounting washer, small . . .	4	45	300455	Ignition lead anchor	1
21	302405	Cover mounting bracket grommet, starboard	2	46	300454	Ignition lead grommet.	1
22	302404	Cover mounting bracket, starboard.	1	47	202310	Expansion plug, 1/2 in.	2
23	302406	Cover mounting spacer	2	48	277211	Cylinder head and core plug assembly.	1
24	203280	Cover mounting grommet, port . . .	1	49	203247	Cylinder head gasket	1
				50	7A143	Flange to cylinder stud, long . .	1
				51	302037	Upper and center brg. dowel . .	2
				52	277210	Cylinder and crankcase	1

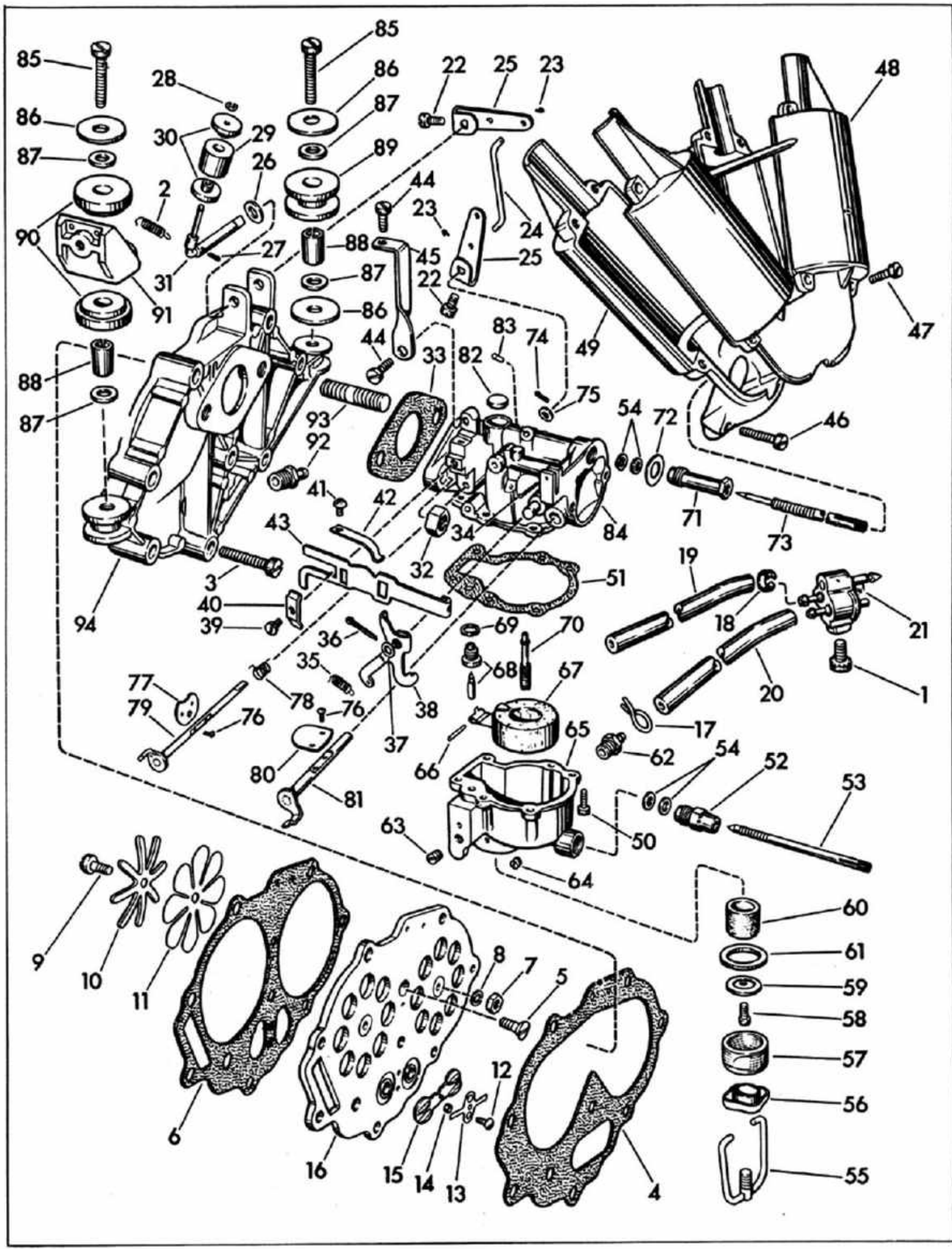
ORDER YOUR PARTS FROM YOUR DISTRICT SERVICE STATION

SUPER FASTWIN CRANKSHAFT AND PISTON



REF. NO.	PART NO.	NAME OF PART	QTY.	REF. NO.	PART NO.	NAME OF PART	QTY.
1	41X223	Armature plate support screw . .	3	13	302585	Center bearing split sleeve	1
2	303278	Armature plate support	1	14	302755	Bearing cage center	2
3	303277	Armature plate retaining ring . .	1	15	302584	Center bearing roller	18
4	510168	Magneto cam.	1	16	202967	Connecting rod screw	4
5	120395	Crankshaft key	1	17	203244	Connecting rod bearing retainer .	2
6	301857	Outer spring seal retaining washer	1	18	302529	Connecting rod needle	30
7	203250	Upper bearing seal spring	1	19	120011	Piston pin spring ring	4
8	302594	Upper brg. seal spring retaining washer	1	20	203238	Piston pin	4
9	302538	Upper bearing seal (carbon) . . .	1	21	277205	Connecting rod assy	2
10	302540	Upper bearing seal, (O ring, inner)	1	22	301787	Piston ring.	6
11	302537	Upper bearing seal (O-ring, outer)	1	22	302399	Piston ring, .020 O.S.	6
12	375763	Roller bearing assy, upper	1	23	300288	Piston dowel pin	6
				24	277204	Piston and dowel pin	2
				24	277292	Piston and dowel pin, .020 O.S. .	2
				25	302578	Cam to crankshaft pin-where used	1
				26	203231	Crankshaft	1

ORDER YOUR PARTS FROM YOUR DISTRICT SERVICE STATION

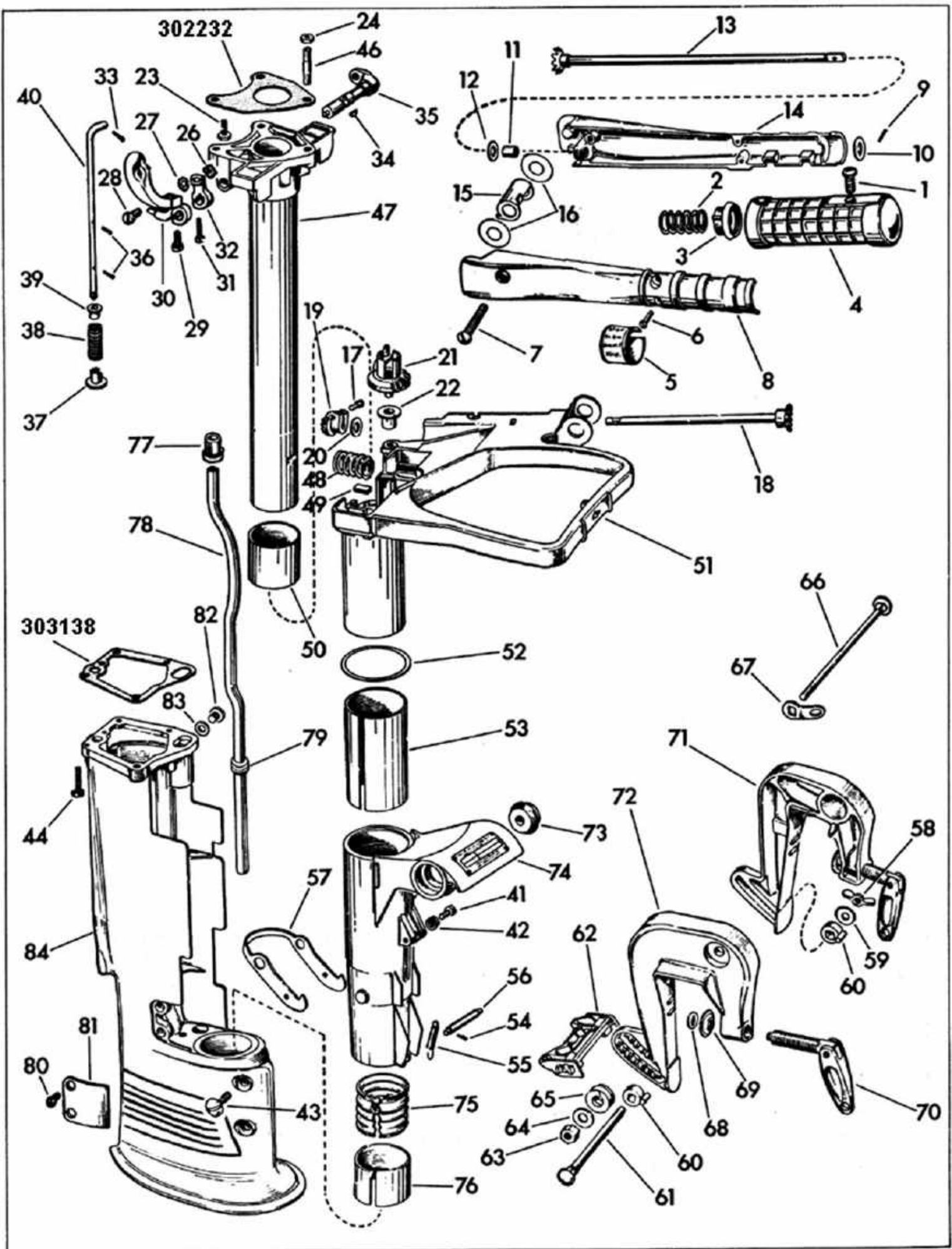


ORDER YOUR PARTS FROM YOUR DISTRICT SERVICE STATION

REF. NO.	PART NO.	NAME OF PART	QTY.	REF. NO.	PART NO.	NAME OF PART	QTY.
*	375990	Carburetor assy	1	45	203356	Silencer mounting bracket. . . .	1
1	303311	Fuel connector to bracket screw	1	46	132346	Silencer to carb. screw	2
2	203276	Cam follower spring	1	47	43X259	Silencer assy screw	8
3	130618	Manifold to crankcase screw . .	8	48	203352	Air silencer, upper half	1
*	277206	Leaf plate assy	1	49	203353	Air silencer, lower half	1
4	203270	Leaf plate to manifold gasket . .	1	50	300181	Float chamber to carb. body screw	5
5	302104	Leaf plate assy to crankcase screw	1	51	302994	Float chamber to carb. body gasket	1
6	203269	Leaf plate to crankcase gasket . .	1	52	300179	High speed valve nut	1
7	85X64	Leaf to leaf place screw nut . .	2	53	303159	High speed needle valve	1
8	71X1487	Leaf to leaf plate screw lockwasher	2	54	43A123	High and low speed valve packing	4
9	301858	Leaf attaching screw	2	55	375992	Yoke and screw assy	1
10	203234	Leaf stop	2	56	375989	Thumb nut and swivel cup assy .	1
11	203246	Carburetor leaf	2	57	303121	Filter bowl	1
12	19X191	Check valve to leaf plate screw .	2	58	132509	Filter element screw	1
13	302048	Check valve spring	1	59	303134	Gasoline filter retainer	1
14	302046	Check valve spring spacer	2	60	303133	Filter element	1
15	302042	Air line check valve	1	61	303122	Filter bowl gasket	1
16	203267	Leaf plate only	1	62	303172	Float chamber nipple	1
17	302647	Carburetor and manifold fuel and air hose clamp	2	63	303125	Filter outlet screw plug	1
18	301822	Fuel connector-fuel and air hose clamp	2	64	303041	Float drain screw	1
19	203287	Manifold to fuel connector air line	1	65	303130	Float chamber	1
20	203286	Carburetor to fuel connector fuel line	1	66	300096	Float arm hinge pin	1
21	375788	Fuel connector body	1	67	375919	Float and float arm	1
22	302346	Throttle shaft arm and cam follower arm screw	2	68	375985	Float valve and seat	1
23	41A110	Link to throttle lever and cam follower retaining pin	2	69	301996	Float valve seat washer	1
24	203275	Throttle lever to cam follower link	1	70	303175	High speed nozzle	1
25	303124	Throttle shaft and cam follower arm	2	71	303291	Slow speed valve nut	1
26	303048	Cam follower washer	1	72	203355	Carb. packing nut washer	1
27	41X163	Cam follower to manifold cotter pin	1	73	303158	Slow speed needle valve	1
28	203363	Cam follower retainer	1	74	303049	Throttle shaft cotter pin	1
29	203362	Cam follower roller	1	75	303048	Throttle shaft washer	1
30	303279	Cam follower bushing	2	76	302667	Throttle and choke valve screw .	4
31	203364	Throttle cam follower	1	77	303174	Throttle valve	1
32	7X46	Carburetor nut	2	78	303119	Throttle shaft spring	1
33	203237	Manifold to carburetor gasket . .	1	79	375994	Throttle shaft and lever assy . .	1
34	21X163	Choke control rod cotter pin . . .	1	80	303126	Choke valve	1
35	303316	Bell crank choke lever spring . .	1	81	375993	Choke shaft and lever assy . . .	1
36	41X163	Bell crank cotter pin	1	82	202310	Expansion plug	1
37	85X54	Bell crank washer	1	83	301732	Carburetor body plug	2
38	303144	Choke bell crank	1	84	376147	Carb. body and bell crankshaft assy	1
39	131249	Choke rod bracket screw	1	85	41X178	Cover mounting bracket and port grommet screw	2
40	303117	Choke rod bracket	1	86	302407	Cover mounting washer, large . .	3
41	302430	Spring to carb. body screw	1	87	43X302	Cover mounting washer, small . .	4
42	303132	Choke control rod spring	1	88	302406	Cover mounting spacer	2
43	303143	Choke control rod	1	89	203280	Cover mounting grommet, port . .	1
44	43X147	Silencer mounting bracket screw . .	2	90	302405	Cover mounting bracket grommet, starboard	2
				91	302404	Cover mounting bracket, starboard	1
				92	303172	Manifold nipple	1
				93	302822	Manifold to carb. stud	2
				94	277226	Carb. manifold and stud	1

* Not shown

ORDER YOUR PARTS FROM YOUR DISTRICT SERVICE STATION



ORDER YOUR PARTS FROM YOUR DISTRICT SERVICE STATION

SUPER FASTWIN EXHAUST TUBE AND SWIVEL BRACKET

REF. NO.	PART NO.	NAME OF PART	QTY.	REF. NO.	PART NO.	NAME OF PART	QTY.
1	302710	Twist grip screw	1	44	25X238	Powerhead exh. housing screw .	4
2	301656	Twist grip spring	1	45	303138	Exhaust tube gasket	1
3	303282	Grip friction block	1	46	15A149	Flange to-powerhead stud, short	1
4	203307	Steering handle grip	1	47	375964	Flange and D/S casing assy. . .	1
5	203260	Throttle control plate	1	48	303077	Powerhead to lower unit mounting spring	2
6	133452	Steering handle halves screw . .	2	49	303076	Motor mount pad	2
7	303078	Steering handle halves screw . .	1	50	303075	Steering bracket lining	1
8	303093	Steering handle-inner half	1	51	375968	Steering bracket and bushing . .	1
9	300346	Gear and shaft assy groove pin . .	1	52	301892	Swivel bracket thrust washer . .	1
10	303252	Strg. handle to spring washer. . .	1	53	301893	Swivel bracket lining	1
11	302717	Strg. handle bushing.	1	54	301974	Reverse rod lock cotter pin. . .	2
12	302712	Steering handle washer	1	55	301898	Reverse lock spring	1
13	375977	Throttle control gear and shaft assembly, long.	1	56	301895	Reverse lock rod	1
14	303094	Steering handle-outer half. . . .	1	57	302518	Reverse locking lever	1
15	303096	Strg. handle gears cover	1	58	41A59	Thrust socket bolt wing nut . . .	1
16	303079	Strg. bracket to handle washer . .	2	59	37X154	Thrust socket bolt washer	1
17	71X1352	Pinion screw.	1	60	301897	Stern bracket lock plate	2
18	375979	Throttle control gear and shaft assembly, short	1	61	303232	Thrust socket bolt.	1
19	303142	Throttle control pinion	1	62	302519	Thrust socket	1
20	303107	Throttle control pinion gear washer	1	63	17X182	Tilting shaft bolt nut.	1
21	303141	Throttle control gear	1	64	25X196	Tilting shaft washer	1
22	303140	Throttle control bushing.	1	65	302051	Tilting shaft spring	1
23	7X116	Flange to cylinder screw, short . .	1	66	301984	Tilting shaft bolt.	1
24	7X46	Flange to powerhead nut	1	67	300364	Safety chain link	1
25	302232	Flange to powerhead gasket. . . .	1	68	302420	Swivel plate retainer	2
26	303189	Shift handle adj. screw nut	1	69	41A48	Clamp screw swivel plate.	2
27	51X137	Gear shift handle adj. screw lockwasher	1	70	375742	Clamp screw assy with swivel plate and retainer	2
28	51X47	Gear shift handle adj. screw	1	71	277006	Stern bracket and clamp screw assy, port	1
29	51X47	Gear shift handle clamp screw . . .	1	72	277007	Stern bracket and clamp screw assy, starboard	1
30	277223	Gear shift handle and pin	1	73	301983	Tilting shaft conical washer. . .	2
31	43X110	Shift handle adj. lever clamp screw	1	74	277008	Swivel bracket and screw assy . .	1
32	203268	Shift handle adj. lever.	1	75	301899	Drive shaft casing rubber bushing	1
33	15X268	Shift rod and shift rod pin cotter pin	3	76	301900	Rubber bushing spacer	1
34	25X271	Adjusting lever to shaft key. . . .	1	77	302497	Water tube grommet, upper. . . .	1
35	375976	Shaft and lever assy.	1	78	303097	Water tube	1
36	301974	Reverse rod lock cotter pin. . . .	2	78	303258	Water tube, 5 in. longer	1
37	301915	Reverse lock sleeve.	1	79	302498	Water tube grommet, center . . .	1
38	301914	Shift rod spring	1	80	302681	Exhaust housing cover plate screw.	2
39	301913	Shift rod sleeve	1	81	303135	Exhaust housing cover plate . . .	1
40	303101	Shift rod, upper	1	82	27A283	Water flush plug	1
41	15A251	Swivel bracket screw	1	83	27X284	Water flush plug washer.	1
42	71A1085	Swivel bracket spring	1	84	277236	Exhaust housing assy	1
43	303136	Exhaust housing clamp screw . . .	2				