

5D12, 5D13, & 5D14 Applications

This Parts Book Covers the Following Motors Manufactured by Gale Products

Montgomery Ward "Sea King"

GG-9002A	1956	5D12
GG-9002B	1956	5D13
GG-8960A	1957	5D14

Goodyear "Sea Bee"

225-3608 (5D12G)	1956	5D12
225-3608 (5D13G)	1956	5D13
225-3614 (5D14G)	1957	5D14

Gale Products "Buccaneer"

5D12B	1956	5D12
5D13B	1956	5D13
5D14B	1957	5D14

Spiegel "Brooklure"

50T3343	1956	5D12
50T3343A	1956	5D13
50T3343B	1957	5D14

Atlas "Royal"

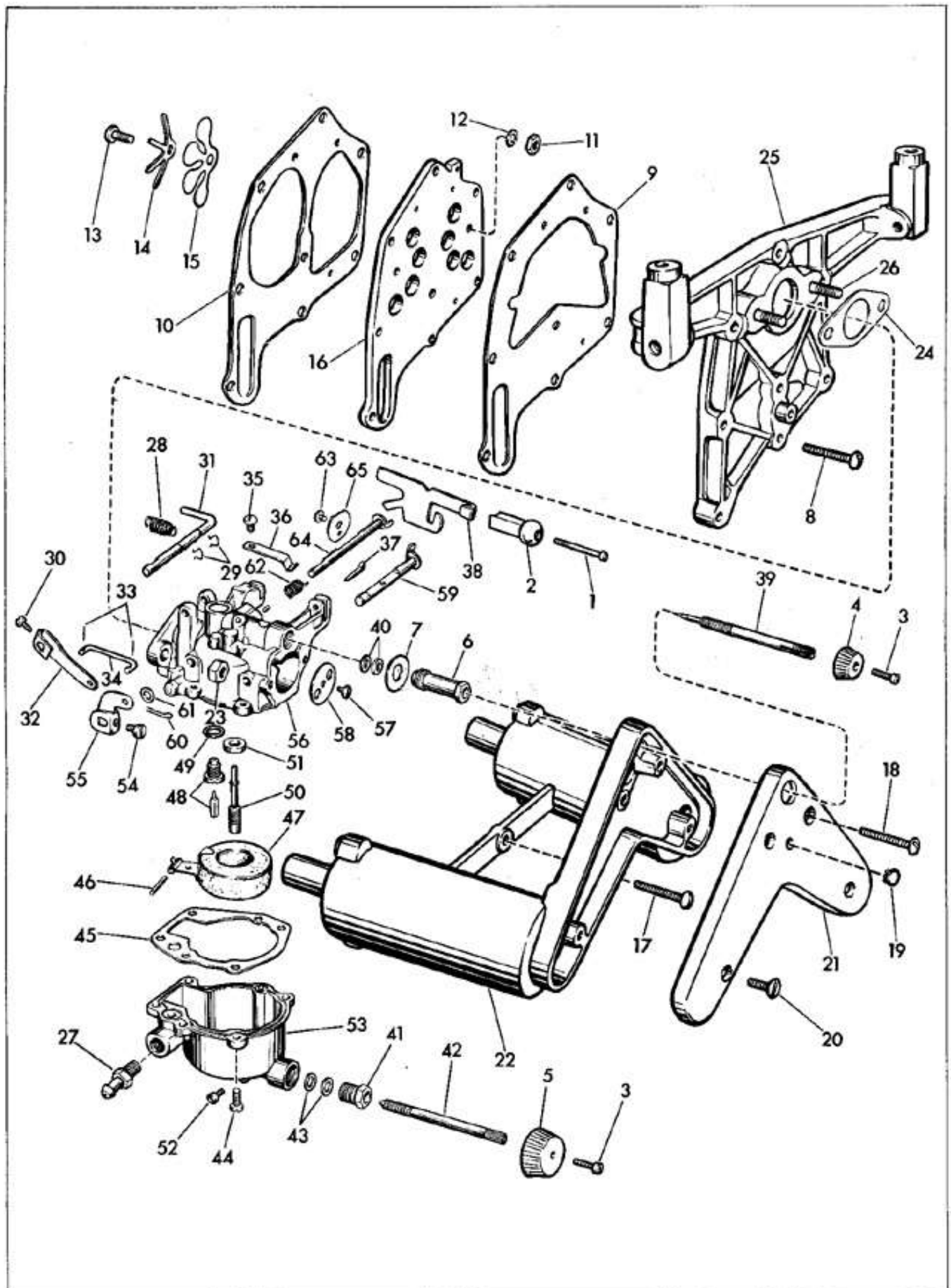
5D12A	1956	5D12
5D13A	1956	5D13
(None for 1957)		

AMC "Saber"

5D12M	1956	5D12
(None For 1957)		

CARBURETOR

Parts List



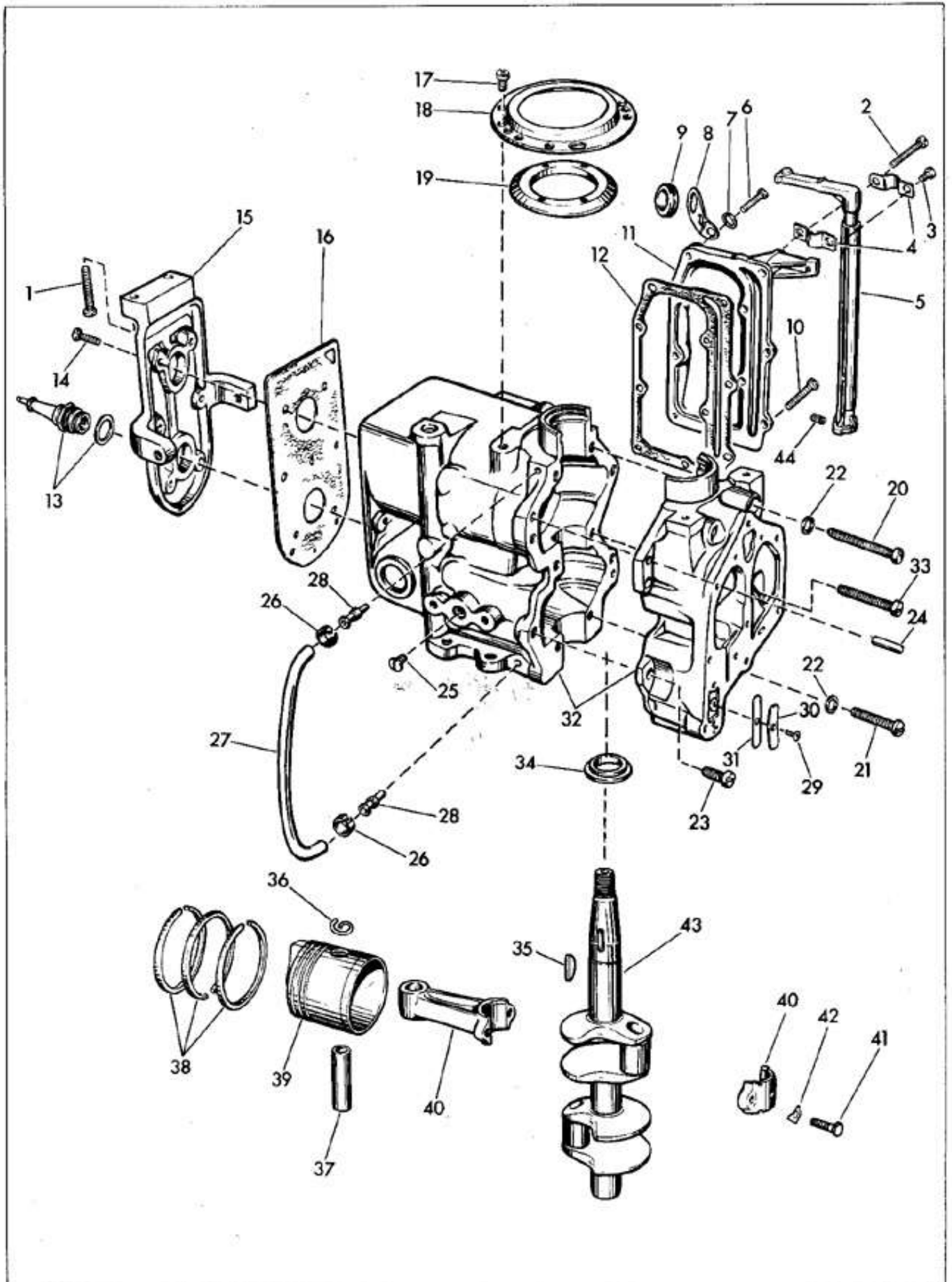
Parts List

CARBURETOR

Ref. No.	Part No.	Description	Ref. No.	Part No.	Description
1	552203	Screw - Choke Knob	32	376726	. Lever & Screw Assy. - Cam
2	552204	Knob - Choke Control Follower Incl. #30.
3	551517	Screw - Carburetor Control	33	41-110	. Pin - Cam Follower Link . . .
		Knob	34	203164	. Link - Lever to Follower . . .
4	591279	Slow Speed Control Knob and	35	302430	. Screw - Spring to Carburetor Body
		Stop Pin Assembly	36	302977	. Spring - Choke Control Rod . .
5	591482	High Speed Control Knob and	37	21-163	. Cotter Pin - Choke Control Rod
		Stop Pin Assembly	38	302997	. Rod - Choke Control
6	303479	Nut - Slow Speed Needle Valve . .	39	303448	. Needle Valve - Slow Speed . .
7	203355	Washer - Carb. Slow Speed	40	43-123	. Packing - Slow Speed Valve . .
		Valve Nut	41	300179	. Nut - High Speed Needle Valve
8	133451	Screw - Manifold to Crankcase . .	42	303476	. Needle Valve - High Speed . .
9	552622	Gasket - Manifold to Leaf Plate	43	43-123	. Packing - High Speed Valve . .
10	552623	Gasket - Leaf Plate to	44	71-1589	. Screw - Float Chamber to
		Crankcase Carburetor Body
11	85-64	Nut - Leaf to Leaf Plate Screw . .	45	302994	. Gasket - Float Chamber to
12	71-1487	Washer - Lock, Leaf to Leaf			. Carburetor Body.
		Plate Screw	46	300096	. Hinge Pin - Float Arm
13	301858	Screw - Leaf Attaching	47	375919	. Float and Float Arm Assembly
14	552608	Stop - Leaf	48	375918	. Float Valve and Seat Assembly
15	552614	Leaf	49	301996	. Washer - Float Valve Seat . .
16	552609	Plate - Leaf	50	303447	. Nozzle - High Speed
17	304890	Screw - Silencer to Manifold . .	51	302984	. Gasket - Float Chamber to
18	200931	Screw - Silencer to Carburetor . .			. Carburetor Body Boss
19	203652	Plug - Button, Air Silencer . .	52	303041	. Screw - Float Chamber Drain
20	302124	Screw - Cover Plate to	53	552606	. Float Chamber
		Silencer Body	54	304572	. Screw - Throttle and Cam
21	552615	Plate - Air Silencer Cover Follower Lever
22	591569	Loading Tube and Air Silencer	55	376725	. Lever & Screw Assy - Cam Fol-
		Body Assembly. lower to Throttle Shaft Incl. #57
23	19-136	Nut - Carburetor to Manifold . .	56	376531	. Carburetor Body - Plug and
24	303437	Gasket - Carburetor to			. Throttle Valve Assembly . .
		Manifold	57	303760	. . Screw - Choke Valve
25	591570	Intake Manifold and Stud Assy. . .	58	303444	. . Choke Valve
26	85-101	. Stud - Carburetor to Manifold	59	375921	. . Choke Shaft and Lever Assy
		Carburetor Assembly Complete	60	303049	. . Cotter Pin - Throttle Shaft .
27	303492	. Nipple - Gas Line	61	303048	. . Washer - Throttle Shaft . .
28	203166	. Spring - Cam Follower	62	302996	. . Spring - Throttle Shaft . . .
29	71-1052	. Clip - Cam Follower	63	303760	. . Screw - Throttle Valve . . .
30	304572	. Screw - Cam Follower	64	375922	. . Throttle Shaft & Lever Assy
31	552605	. Follower - Throttle Cam	65	304326	. . Throttle Valve

POWER HEAD

Parts List



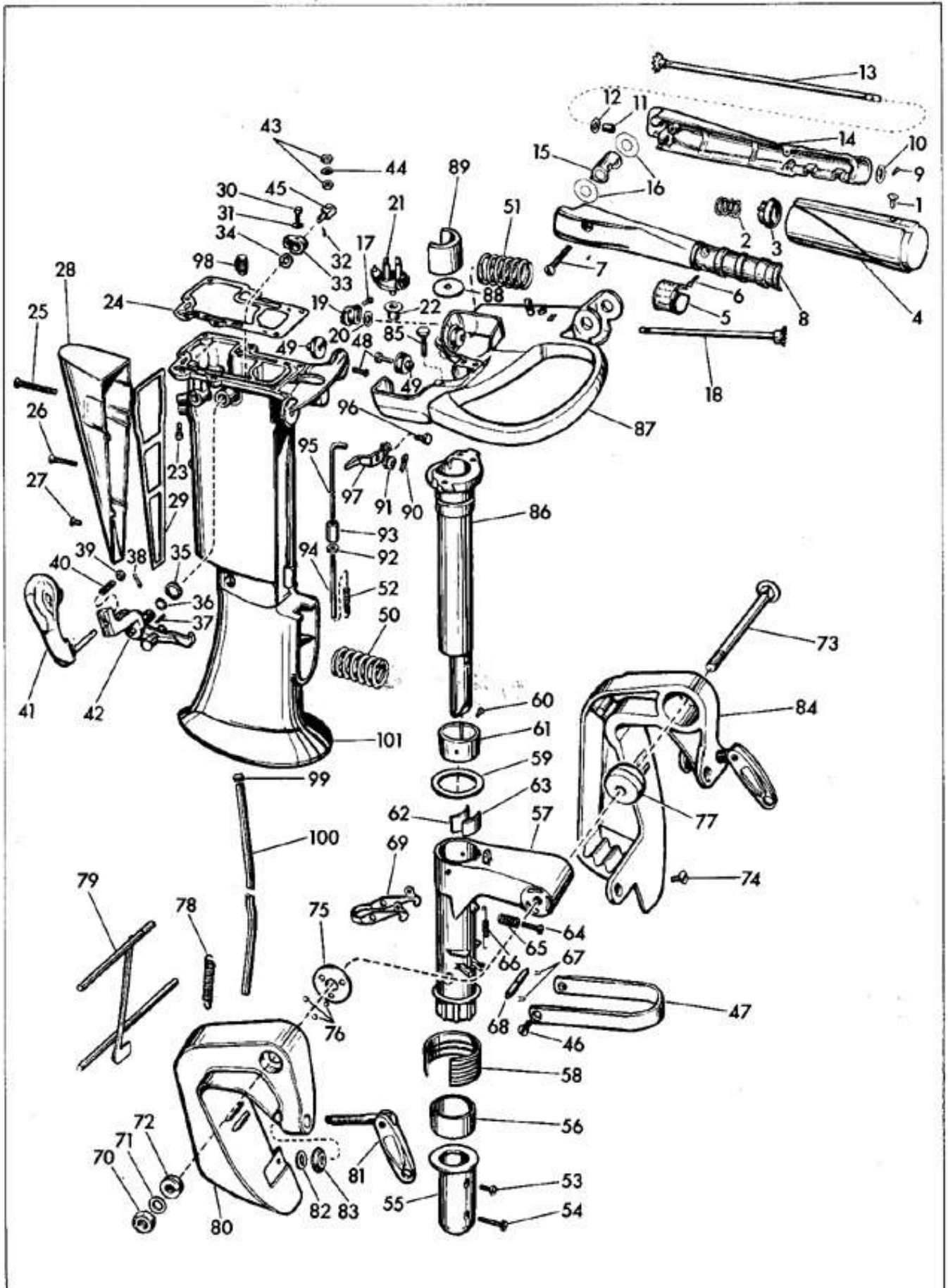
Parts List

POWER HEAD

Ref. No.	Part No.	Description	Ref. No.	Part No.	Description
1	300646	Screw - Cyl. Cover to Fuel Tank	22	300399	Washer - Cylinder to Crankcase Screw
2	132123	Screw - Brg. Clamp and Exh. Cover.	23	51-47	Screw - Cylinder to Crankcase .
3	43-156	Screw - Bearing Clamp	24	300402	Pin - Taper, Cylinder to Crankcase
4	303109	Clamp - Bearing	25	303125	Screw - Fuel Pump Outlet Plug .
5	552611	Lever - Armature Plate Control	26	303473	Clamp - Oil Return Hose
6	132346	Screw - Anchor and Exhaust Cover to Cylinder	27	552613	Hose - Oil Return
7	300154	Washer - Anchor and Exhaust Cover Screw	28	303423	Nipple - Oil Hose to Cylinder . .
8	300455	Anchor - Ignition Leads	29	19-191	Screw - Leaf Valve to Crankcase
9	300454	Grommet - Ignition Leads	30	203248	Plate - Leaf Valve
10	25-74	Screw - Exh. Cover to Cylinder	31	203235	Valve - Leaf, Crankcase Drain .
11	303407	Cover - Exhaust	32	591922	Cyl. & Crankcase Assy. Incl. #20, 21, 22, 23, 24, 33
12	303439	Gasket - Exhaust Cover	33	27-17	. Screw - Cyl. to Crankcase, Center
13	200322	Spark Plug (Champion J6J)	34	303649	Slinger - Oil
13	376290	Spark Plug (Auto-Lite A3X)	35	120395	Key - Crankshaft
14	25-74	Screw - Cover to Cylinder	36	120110	Ring - Lock, Piston Pin
15	552624	Cover - Cylinder	37	303333	Pin - Wrist
16	552625	Gasket - Cylinder Cover	38	41-333	Ring - Piston
17	41-223	Screw - Support Plate	39	378067	Piston & Dowel Pin Assembly .
18	591857	Support & Stop Assy. - Arm. Plate	40	591919	Connecting Rod and Lockplate Assembly
19	303277	Ring - Arm. Plate Retaining	41	41-44	. Screw - Connecting Rod
20	302431	Screw - Cylinder to Crankcase, Upper	42	41-17	. Lockplate - Connecting Rod . . .
21	41-178	Screw - Cylinder to Crankcase, Lower	43	552607	Crankshaft
			44	303236	Spring - Control Lever to Gear .

MANIFOLD & BRACKET

Parts List



†USE ON 5D12 AND 5D13 MOTOR SERIES AND MOTOR SERIES PREVIOUS TO 5D12 AND 5D13. FOR 5D14
 USE THE FOLLOWING: REF. NO. (27) PART NO. 304022
 (33) 376922
 (39) 552783
 (41) 277626

Parts List

MANIFOLD & BRACKET

Ref. No.	Part No.	Description	Ref. No.	Part No.	Description
1	302710	Screw - Steering Handle Grip	57	304131	Bracket - Swivel
2	301656	Spring - Grip to Friction Block	58	303371	Absorber - Shock, Lower Swivel Bracket
3	303282	Block - Grip Friction.	59	303359	Washer - Thrust, Steering Bracket to Swivel Bracket
4	552209	Grip - Steering Handle	60	303696	Pin - Swivel Bracket to Upper Liner
5	203260	Plate - Throttle Control	61	303370	Liner - Upper
6	133452	Screw - Steering Handle Halves	62	303697	Spacer - Co-pilot Plate to Upper Liner.
7	303078	Screw - Steering Handle Halves	63	303363	Plate - Co-pilot
8	303093	Handle - Steering, Inner Half.	64	132879	Screw - Co-pilot Plate
9	300346	Pin - Groove, Gear and Shaft Assembly	65	551113	Spring - Co-pilot Plate Screw
10	303252	Washer - Steering Handle to Spring	66	303464	Spring - Reverse Lock Rod to Swivel Bracket
11	302717	Bushing - Steering Handle	67	303049	Pin - Cotter, Reverse Lock Shaft
12	302712	Washer - Steering Handle	68	304130	Rod - Reverse Lock
13*	376691	Throttle Control Gear and Shaft Assembly, Long.	69	304129	Lever - Reverse Locking.
14	303094	Handle - Steering, Outer Half	70	17-182	Nut - Tilting Bolt
15	303096	Cover - Steering Handle Gears	71	25-196	Washer - Tilting Bolt
16	303079	Washer - Steering Bracket to Handle.	72	302051	Spring - Tilting Bolt
17	71-1352	Screw - Pinion	73	303349	Bolt - Tilting
18*	376689	Gear and Shaft Assembly, Short	74	303396	Screw - Stern Bracket, Port to Starboard
19	303142	Pinion - Throttle Control.	75	202617	Shim - Stern Bracket to Swivel Bracket
20	303107	Washer - Pinion Gear	76	160084	Ball - Stern Bracket to Swivel Bracket
21	303800	Gear - Throttle Control	77	301983	Washer - Conical
22	303140	Bushing - Throttle Control.	78	202021	Spring - Tilting Lever
23	51-47	Screw - Exh. Tube to Cylinder	79	376395	Tilting Lever Assembly.
24	303467	Gasket - Exh. Tube to Cylinder	80	376082	Stern Bracket Assembly, Starboard
25	303589	Screw - Exh. Tube Cover, Upper	81	375744	Clamp Screw, Plate and Retainer Assembly
26	303588	Screw - Exh. Tube Cover, Center	82	302420	Retainer - Swivel Plate
27†	303587	Screw - Exh. Tube Cover, Lower	83	41-48	Plate - Clamp Screw Swivel
28	303585	Cover - Exhaust Tube	84	376081	Stern Bracket Assy., Port (Also Includes Items 81, 82 and 83)
29	303586	Gasket - Exhaust Tube Cover.	85	303398	Screw - Steering Bracket to Pilot Shaft
30	303714	Screw - Shift Lever Shaft Assembly	86	303500	Shaft - Steering Bracket Pilot
31	303715	Washer - Shift Lever to Shaft	87	376269	Steering Bracket and Bushing Assembly
32	15-268	Pin - Cotter, Shift Rod	88	303353	Plate - Steering Bracket
33†	304254	Lever - Shaft to Shift Rod	89	303350	Support - Drive Shaft Casing to Steering Bracket
34	303775	Washer - Shift Lever and Shaft Assembly, Inner.	90	550565	Pin - Cotter, Reverse Lock Link to Lever
35	303864	Washer - Shift Lever and Shaft.	91	303364	Grommet - Reverse Lock Arm to Reverse Lock Link
36	303191	"O" Ring - Shift Lever	92	85-64	Nut - Lock, Reverse Lock Pin Coupling
37	303236	Spring - Washer	93	303706	Coupling - Reverse Lock Link
38	552497	Pin - Straight, Shift Handle.	94	303705	Link - Reverse Lock, Lower
39†	552499	Washer - Shift Handle Pivot Pin	95	303408	Link - Reverse Lock, Upper
40	552498	Spring - Shift Handle	96	303368	Screw - Shoulder, Reverse Lock Arm
41†	591479	Shift Handle and Pin Assembly.	97	303409	Arm - Reverse Lock
42	591583	Shift Shaft and Arm Assembly	98	303348	Nut - Water Tube
43	85-64	Nut - Shift Rod to Connector	99	7-261	Gland - Water Tube
44	303701	Washer - Lock, Shift Rod Nut	100	376459	Water Tube Assembly.
45	303702	Connector - Shift Rod to Lever.	101	376079	Driveshaft Casing, Exhaust Tube and Core Plug Assembly
46	303397	Screw - Friction Band			
47	303392	Band - Friction			
48	303394	Screw - Spring Retainer			
49	303369	Retainer - Upper Mount Spring.			
50	303461	Spring - Lower Mount			
51	303458	Spring - Upper Mount			
52	303465	Spring - Reverse Lock Rod to Reverse Rod			
53	303393	Screw - Steering Bracket to Retainer, Upper.			
54	302677	Screw - Steering Bracket to Retainer, Lower.			
55	303372	Retainer - Steering Bracket			
56	303362	Sleeve - Friction Band			

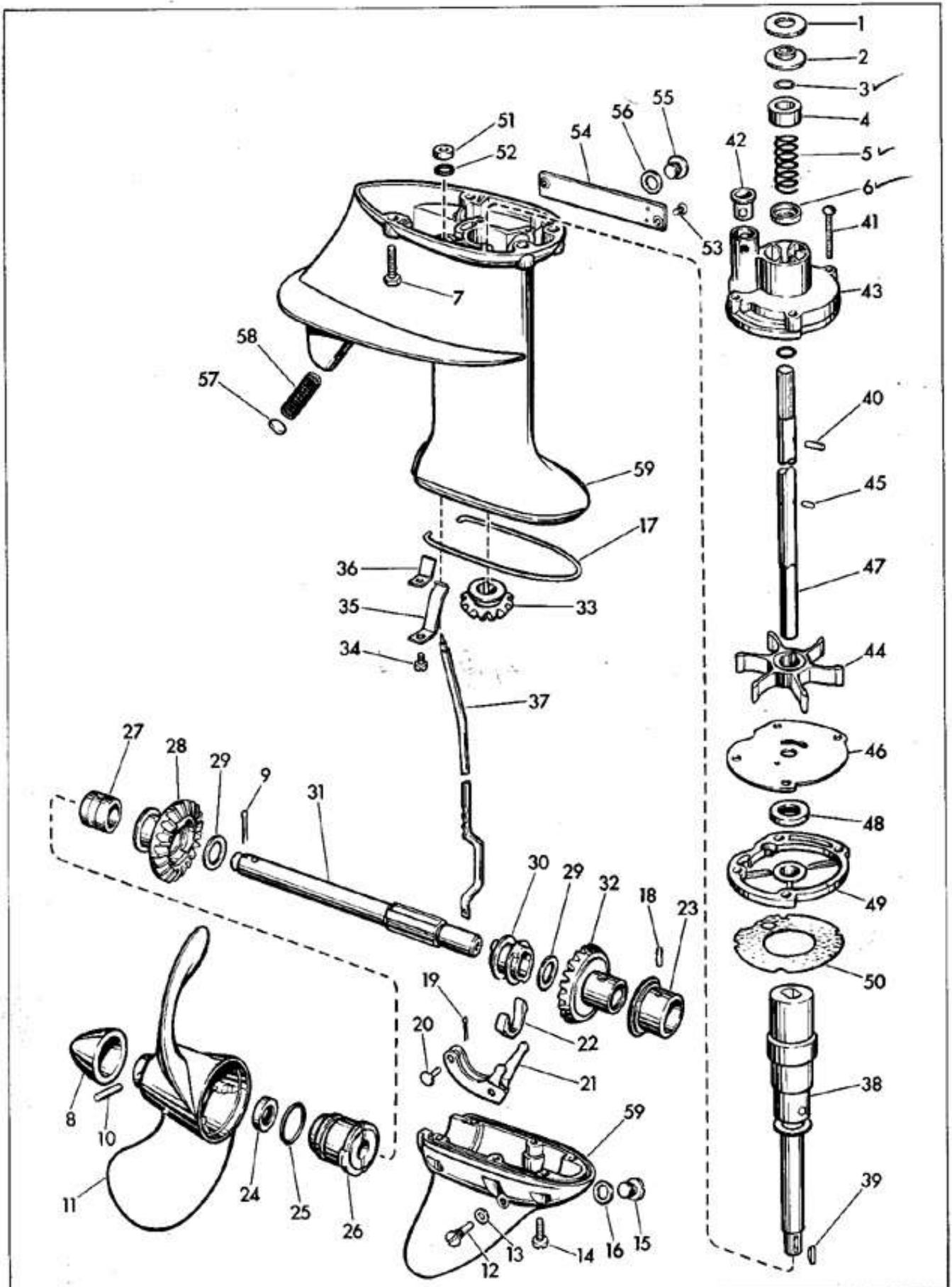
*USE ON 5013 MOTOR SERIES ONLY. FOR 5012 SERIES USE THE FOLLOWING

REF. NO. (13) USE (18)

PART NO. 376416 376415

GEAR CASE

Parts List



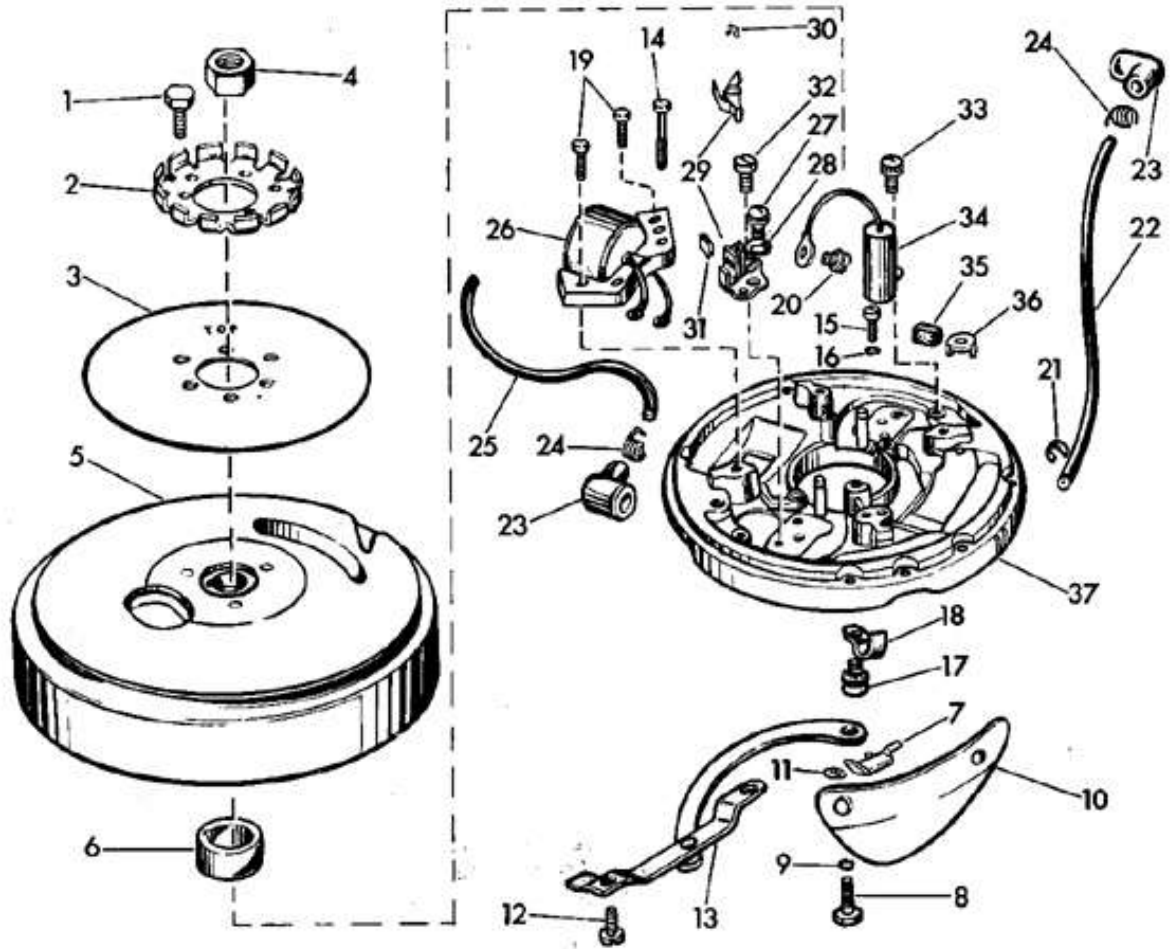
Ref. No.	Part No.	Description	Ref. No.	Part No.	Description
1	303355	Gasket - Driveshaft to Crankcase	30	376078	Clutch Dog Shifter Assembly . .
2	303356	Plate - Driveshaft to Crankcase.	*31	303443	Shaft - Propeller
3	303347	"O" Ring - Seal, Driveshaft . .	32	376345	Gear & Bushing Assy. - Front .
4	303391	Seal - Lower Bearing to Driveshaft	33	304009	Pinion - Drive Shaft
5	303357	Spring - Lower Bearing Seal . .	*34	43-147	Screw - Detent Spring
6	303327	Washer - Spring Retaining . . .	35	303466	Spring - Detent
7	302325	Screw - Exh. Tube to Gearcase.	36	303700	Spring - Backup, Detent Spring .
8	303365	Cap - Propeller	37	303401	Rod - Shift
9	13-332	Pin - Cotter, Propeller Shaft . .	38	376073	Pinion Shaft & Shock Absorber Pilot Assembly
10	302333	Pin - Drive	39	1-135	Key - Pinion to Pinion Shaft . .
11	592063	Propeller & Bushing Assy	40	303261	Pin - Drive Shaft
11	592063	Propeller & Bushing Assy. (5D14)	41	303395	Screw - Impeller Housing
11	591978	Propeller & Bushing Assy. (5D13)	42	302497	Grommet - Water Tube, Lower.
11	591389	Propeller & Bushing Assy. (5D12)	43	303442	Housing - Impeller
12	303358	Pin - Shifting Lever Pivot. . . .	44	277181	Impeller & Insert Assembly . . .
13	304083	Washer - Pivot Pin	45	300771	Pin - Impeller to Driveshaft . .
14	304071	Screw - Lower to Upper Gearcase	46	303376	Plate - Impeller Housing
15	27-283	Screw - Grease Plug (Drain) . .	*47	376093	Driveshaft & Pin Assy. (Incl. #40)
16	27-284	Washer - Grease Plug (Drain) . .	48	300599	Seal - Bearing Housing
17	303328	Seal - Upper to Lower Gearcase	49	376074	Bearing Housing & Bearing Assy. ✓
18	300611	Pin - Dowel	50	303339	Gasket - Bearing Housing to Gearcase
19	15-268	Pin - Cotter, Pivot Pin	51	303332	Bushing - Shift Rod, Lower . . .
20	302604	Pin - Shift Rod.	52	301877	"O" Ring - Shift Rod
21	303340	Lever - Shifter	53	302681	Screw - Bypass Cover
22	303381	Cradle - Shifter	54	304579	Cover - Water Bypass
23	303380	Bearing - Front, Gearcase	55	27-283	Screw - Grease Plug, Fill
24	303345	Seal - Gearcase Head	56	27-284	Washer - Grease Plug, Fill . . .
25	303360	"O" Ring - Gearcase Head	57	300314	Plug - Water Intake Screen . . .
26	376776	Gearcase Hd. & Bearing Assy. . .	58	303331	Screen - Water Intake
26	376776	Gearcase Hd. & Brg. Assy. (5D14)	59	376775	Gearcase Assy (Incl. #14, 15, 16, 17, 18, 51, 52, 55, 56, 57, and 58)
		(5D13)			
26	376069	Gearcase Hd. & Brg. Assy. (5D12)	59	376606	Gearcase Assembly (5D12)
27	303998	Bushing - Rear Reversing Gear			
28	304010	Gear - Rear Reversing			
29	303361	Washer - Thrust			

*Use on 5D14 motor series only. For 5D13 series use the following:

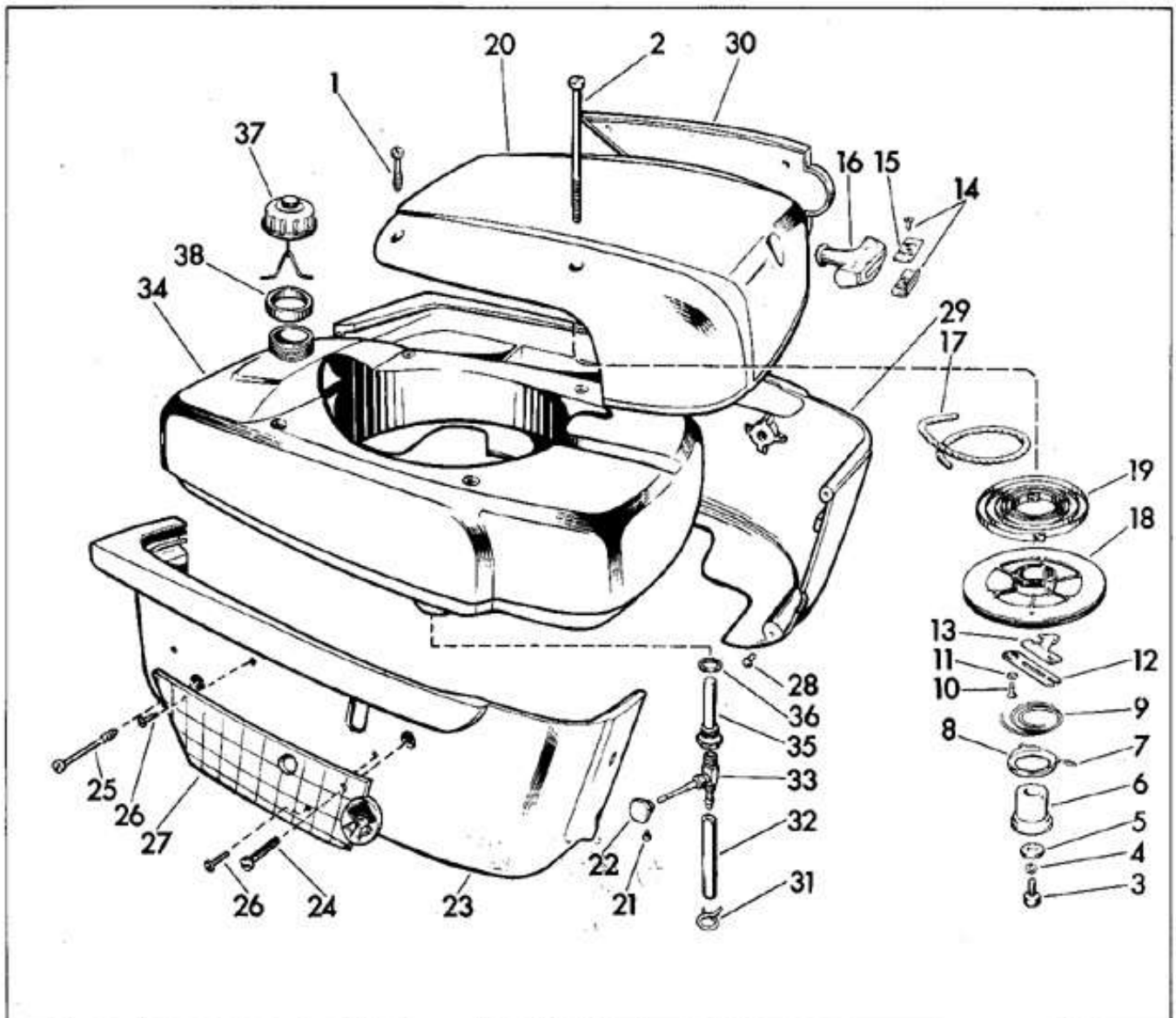
Ref. No. (31)	Part No. 303443
(34)	43-147
(47)	376093

MAGNETO

Repair Parts List



Ref. No.	Part No.	Description	Ref. No.	Part No.	Description
1	302468	Screw - Ratchet to Flywheel . . .	18	510259	Clamp - High Tension Lead . . .
2	202111	Ratchet - Starter	19	510195	Screw - Lamination Mounting . . .
3	303249	Cover - Inspection Hole	20	510194	Screw - Breaker Terminal . . .
4	301988	Nut - Flywheel	21	120783	Marker - Upper Lead
5	580150	Flywheel	22	580178	High Tension Lead Assembly - Upper
6	510168	Cam - Magneto	23	510232	Cover - Rubber, Sparkplug . . .
7	303146	Clip - Spring, Armature Plate Link	24	510231	Terminal - Spring Lead
8	302750	Screw - Throttle Cam to Plate . . .	25	580179	High Tension Lead Assembly - Lower (Also includes items 23 and 24)
9	71-1487	Washer - Lock	26	580118	Coil and Lamination Assembly . . .
10	552642	Cam - Throttle	27	510278	Screw - Breaker Mounting
11	71-1531	Spacer - Throttle Cam	28	510208	Washer - Bow
12	510193	Screw - Linkage Assembly to Armature Plate	29	580148	Breaker Assembly
13	376064	Throttle Control Plate and Link Assembly	30	71-1052	Clip - Spring
	580182	Armature Plate Assembly	31	510204	Clip - Breaker Spring
14	510191	Screw - Armature Plate Mounting	32	510185	Screw - Eccentric
15	510192	Screw - Armature Plate Mounting	33	510193	Screw - Condenser Mounting . . .
16	3-28	Washer - Lock	34	510173	Condenser
17	510193	Screw - High Tension Lead Clamp Mounting	35	510189	Wick - Oiler
			36	510188	Clip - Oiler
			37	580168	Armature Plate and Post Assembly



Ref. No.	Part No.	Description	Ref. No.	Part No.	Description
1	21-167	Screw - Starter to Tank	*20	591378	. Starter Housing Assembly . .
2	552389	Screw - Starter to Bracket	21	552461	Screw - Knob to Valve
	591815	Starter Assembly - Complete	22	202912	Knob - Shut Off Valve
3	131991	. Screw - Hub to Housing	23	591697	Shroud Assembly - Starboard . .
4	13-51	. Washer - Lock	24	552416	. Screw - Shroud, Front
5	202356	. Washer - Starter Spindle	25	552423	. Screw - Shroud, Rear
6	276643	. Spindle and Pin Assembly	26	552415	. Screw - Applique to Shroud . .
7	202155	. Spring - Pawl	27	552409	. Applique - Starboard
8	202114	. Cup - Equalizer	28	203290	Bumper - Shroud
9	302222	. Spring - Friction	29	591696	Shroud Assembly - Port (Also Includes Items 24, 25, 26, 30)
10	302104	. Screw - Retainer	30	552408	. Applique - Port
11	71-1026	. Washer - Lock	31	552199	Clamp - Hose
12	202317	. Retainer - Starter Pawl	32	552612	Hose - Shut Off Valve to Carburetor
13	202470	. Pawl - Starter	33	591398	Valve - Shut Off
14	591214	. Clamp and Screw - Rope	34	591808	Fuel Tank Assembly
15	551205	. Clamp - Rope	35	591380	. Screen and Connector Assembly
16	551226	. Handle - Starter	36	171318	. Gasket - Tank Outlet
17	304097	. Rope - Starter	37	590774	. Filler Cap Assembly
18	376377	. Starter Pulley and Pin Assembly	38	551463	. . Gasket - Filler Cap
19	41-197	. Starter Spring Assembly			

*IMPORTANT: Color of old parts must be specified when ordering new parts.
 USE EXPLODED VIEW FOR 5D12B AND 5D13B ONLY; FOR PART NO. VARIATIONS IN
 CUSTOMER MODELS SEE PAGE 24

TRIM GROUP

Parts List

REF. NO.	DESCRIPTION	1956 CUSTOMER MODEL & PART NUMBER				
		ATLAS	GOODYEAR	AMC	SPIEGEL	WARD
		5D12A 5D13A	5D12G 5D13G	5D12M	50T3343 50T3343B	GG-9002A GG-9002B
23	Starter Assy Complete	591812	591813	591809	591811	591814
	Shroud Assy - Starboard	591701	591703	591693	591699	591705
24	Screw - Shroud, Front	552416	552416	552416	552416	552224
25	Screw - Shroud, Rear	552423	552423	552423	552423	552424
26	Screw - Applique to Shroud, Rear					552223
27	Applique - Starboard	552413	552407	552413	552413	552419
29	Shroud Assy - Port	591700	591702	591692	591698	591704
30	Applique - Port	552412	556406	552412	552412	552418
34	Fuel Tank Assy	591805	591806	591802	591804	591454A

REF. NO.	DESCRIPTION	1957 CUSTOMER MODEL & PART NUMBER			
		GALE	GOODYEAR	SPIEGEL	WARD
		5D14B	5D14G	50T3343B	CG8960A
23	Starter Assembly - Complete	592067	591813	591811	592066
	Shroud Assy - Starboard	592075	592098	591699	592073
24	Screw - Shroud, Front	552416	552416	552416	552224
25	Screw - Shroud, Rear	552423	552423	552423	552424
26	Screw - Applique to Shroud, Rear				552223
27	Applique - Starboard	552409	552407	552413	552419
29	Shroud Assy - Port	592074	592097	591698	592072
30	Applique - Port	552408	552406	552412	552418
34	Fuel Tank Assembly	592071	592124	591804	592070